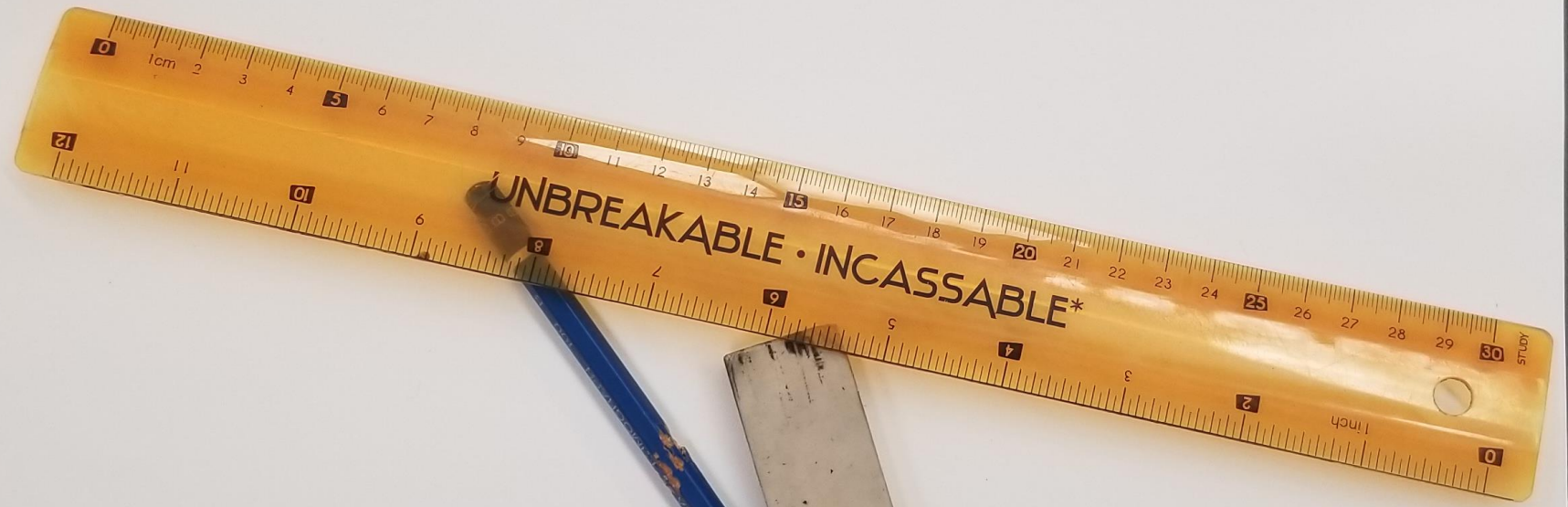




1

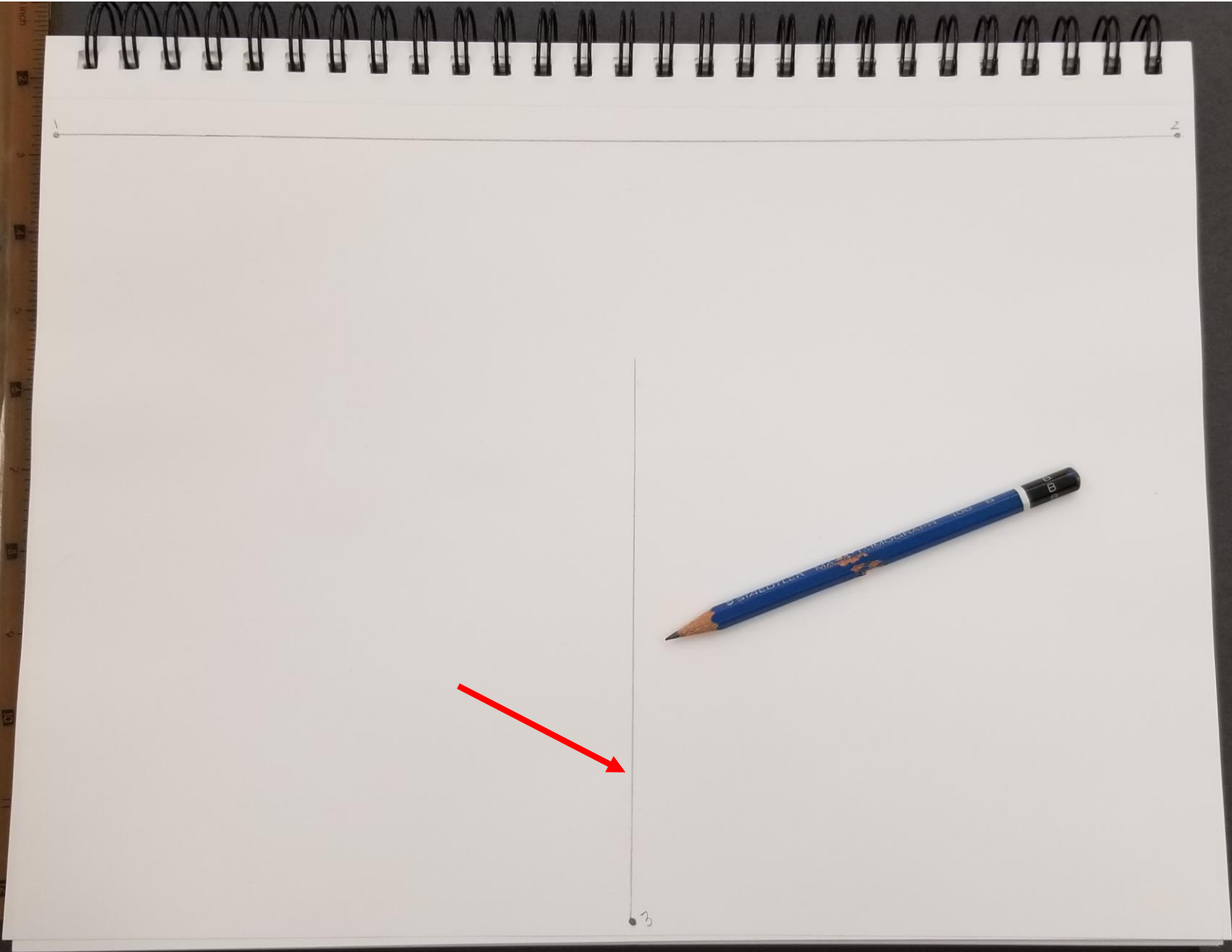


2

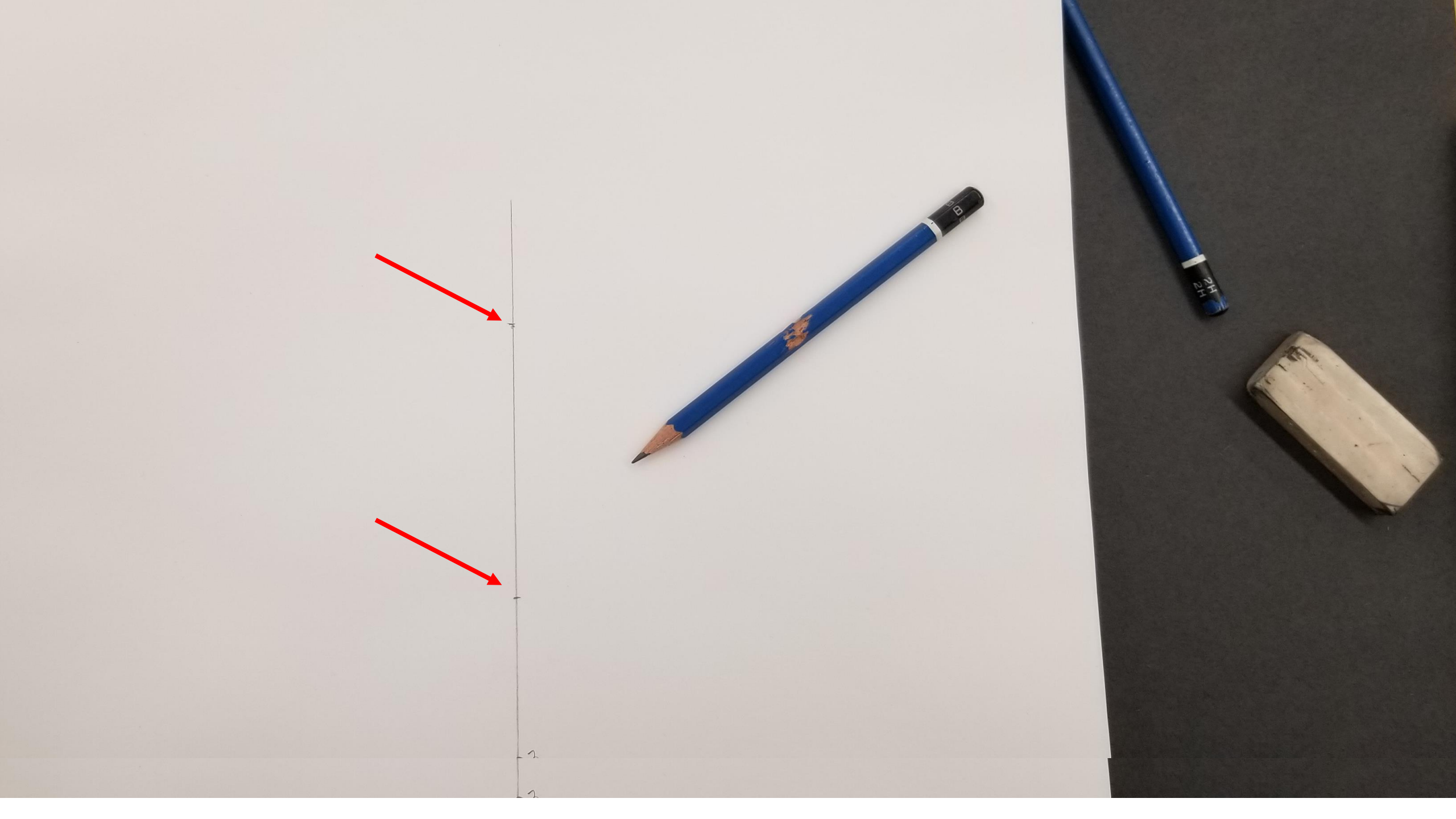


3



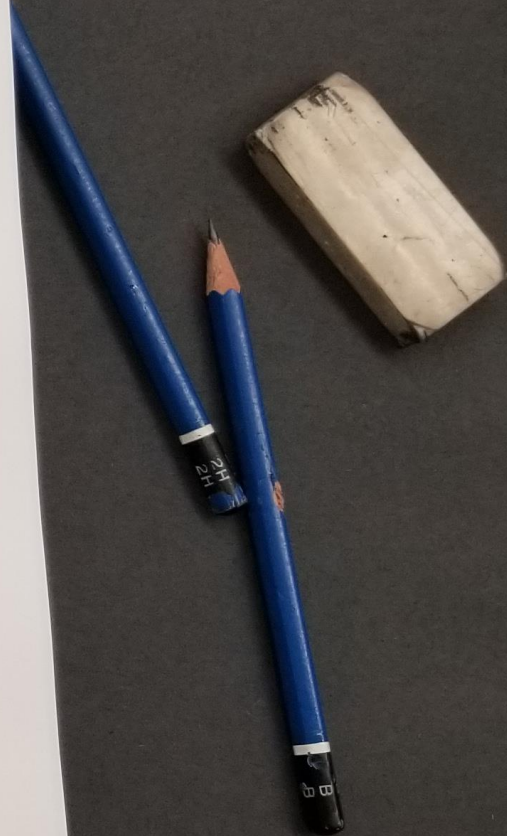


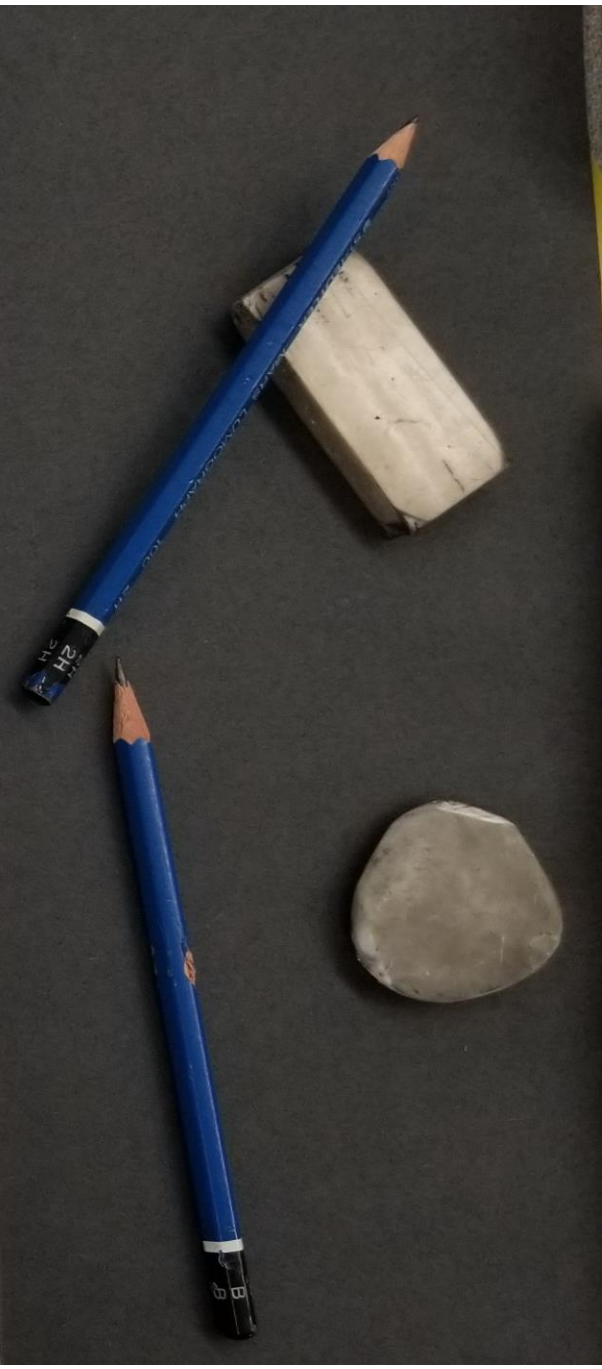
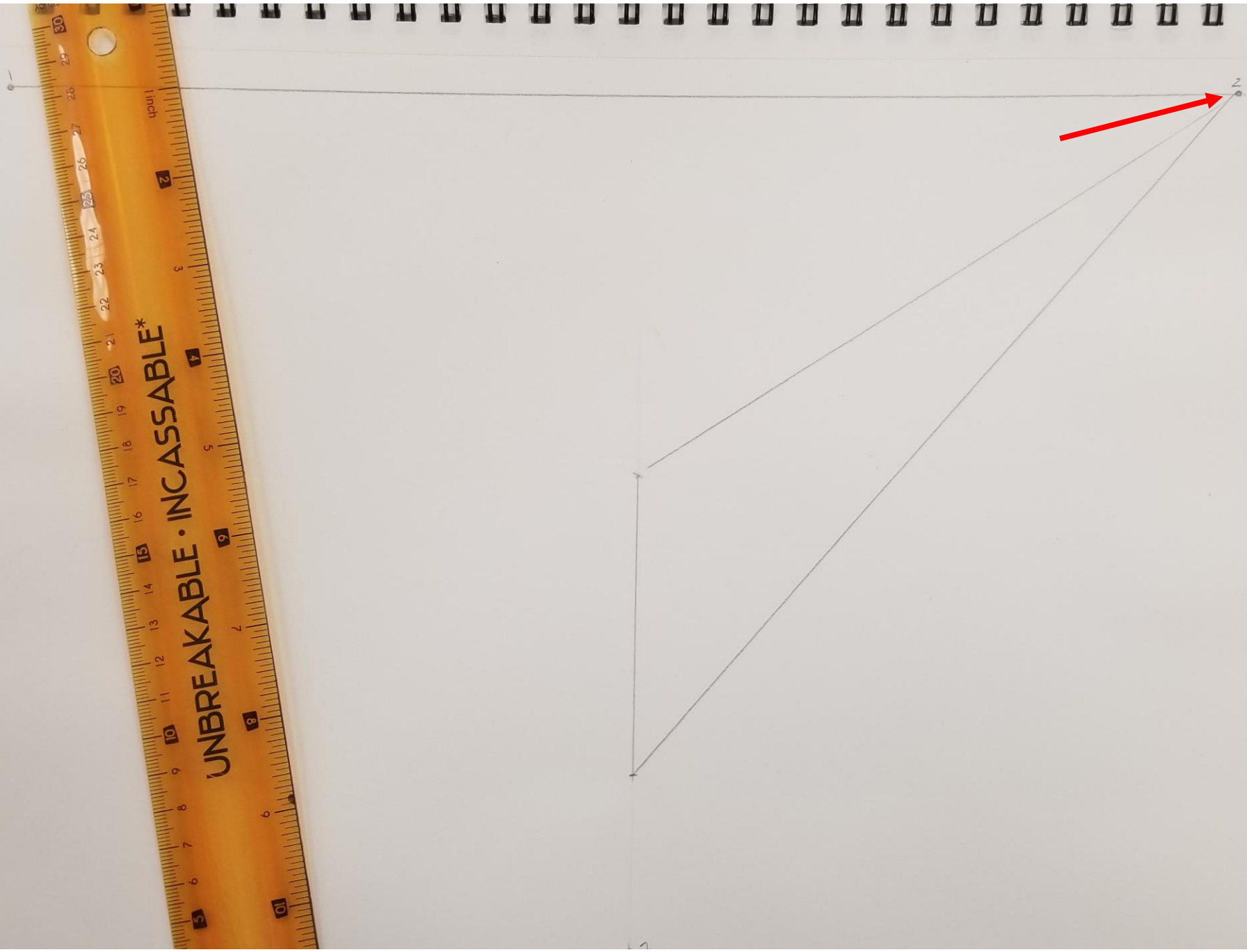




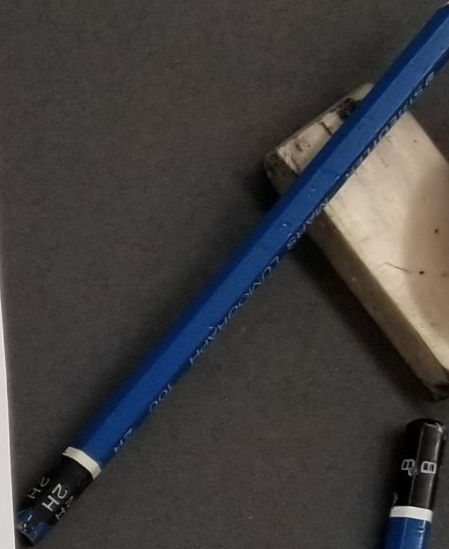
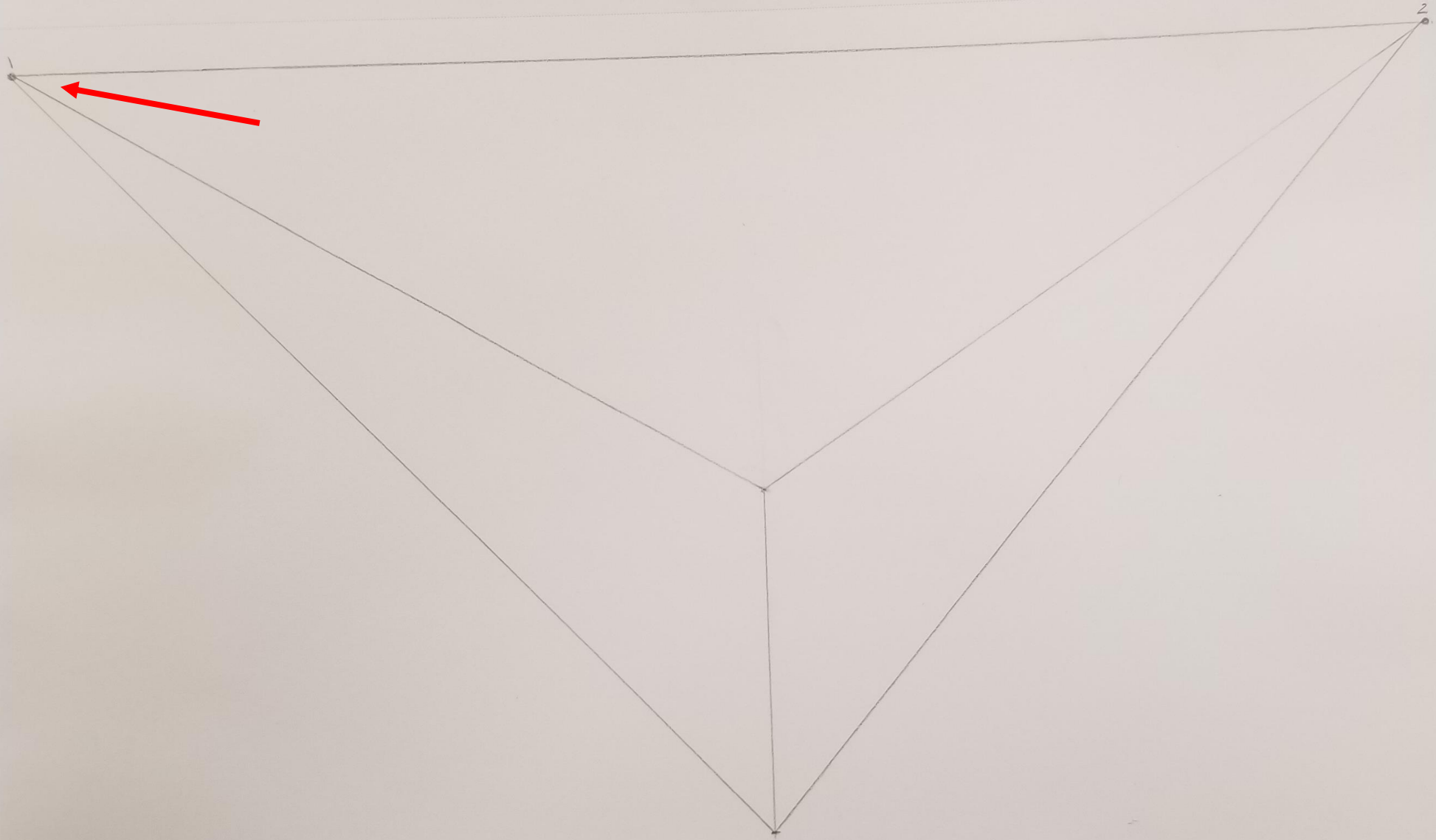


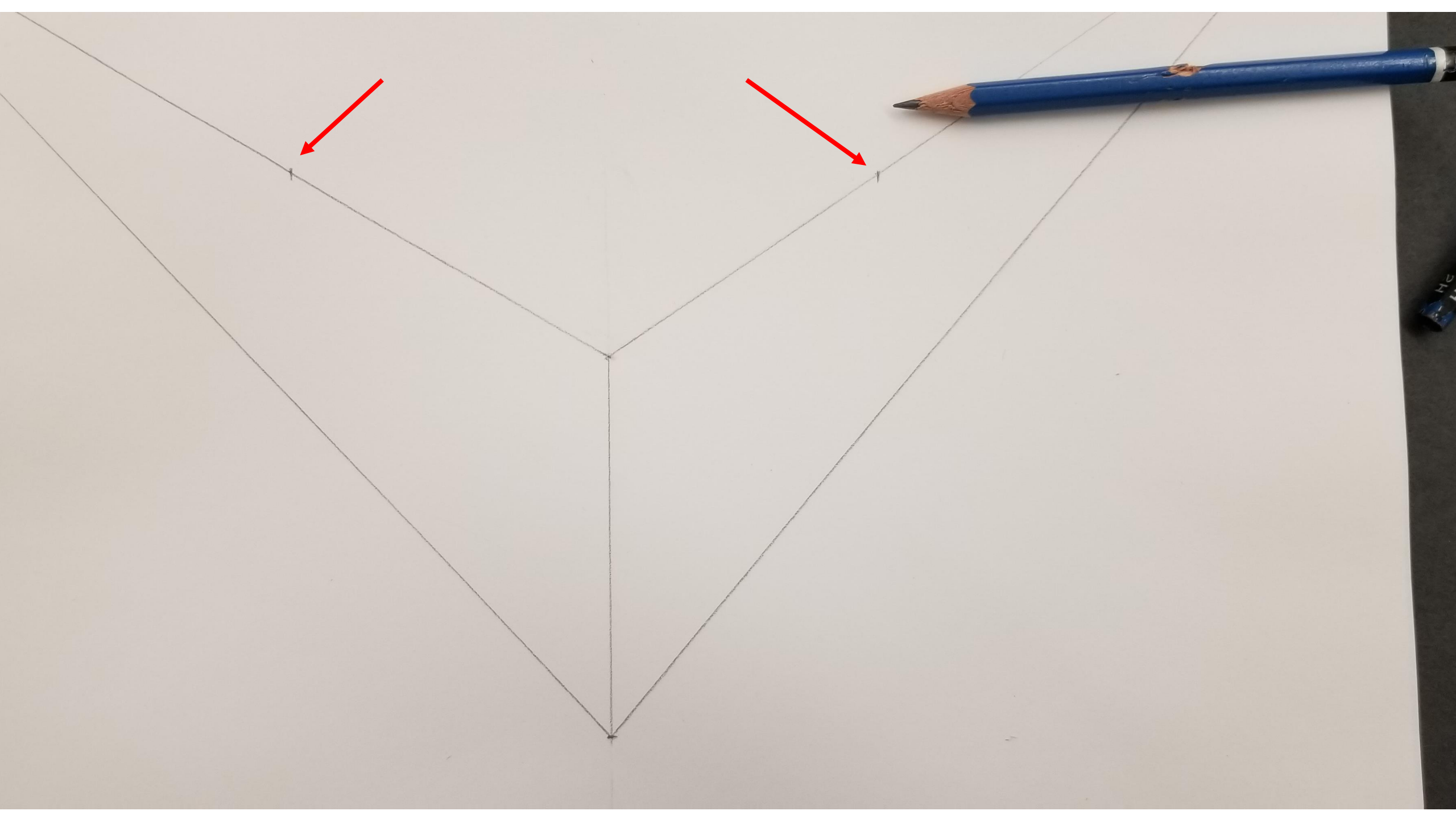
**Erase the lines you don't need.**



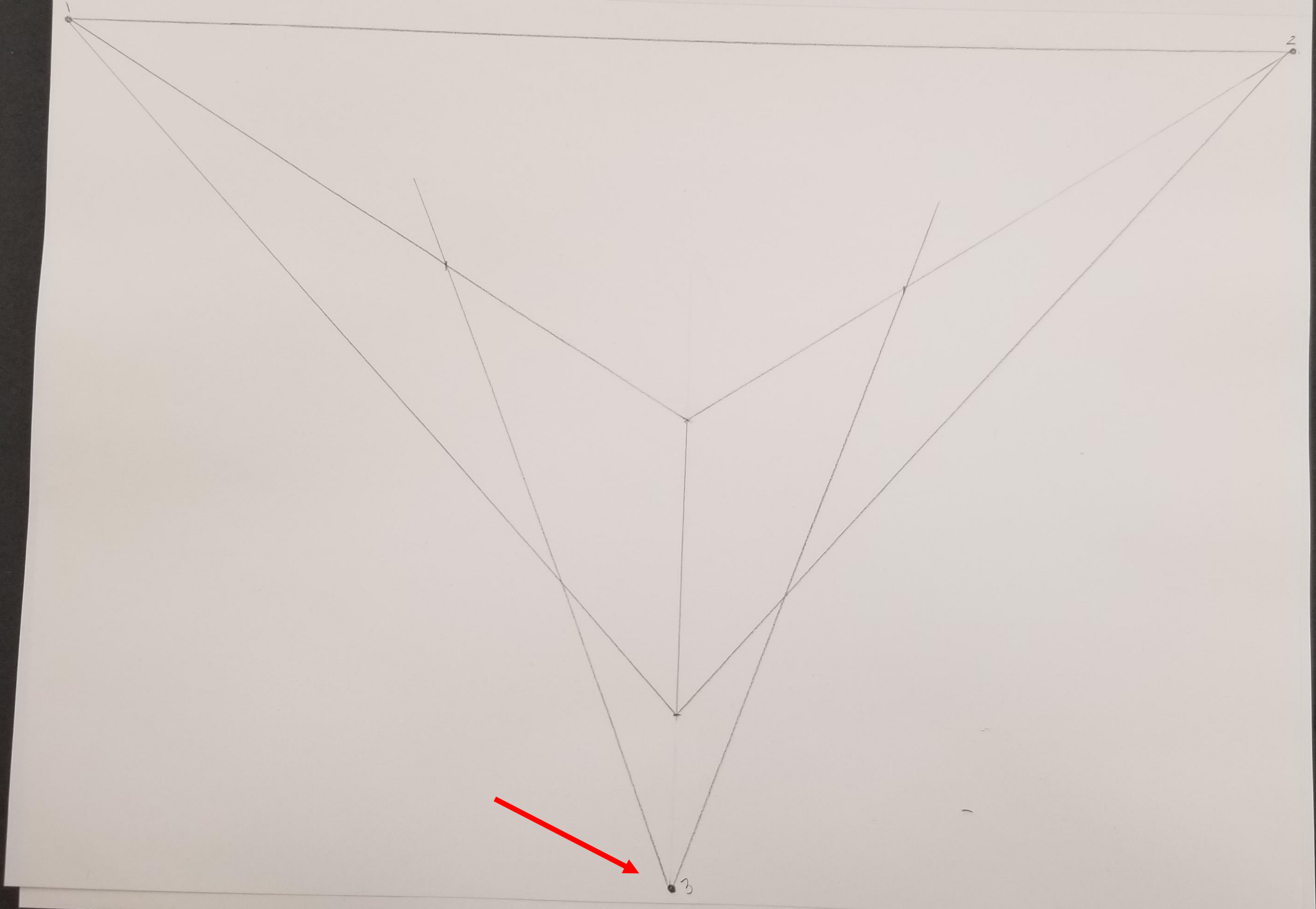








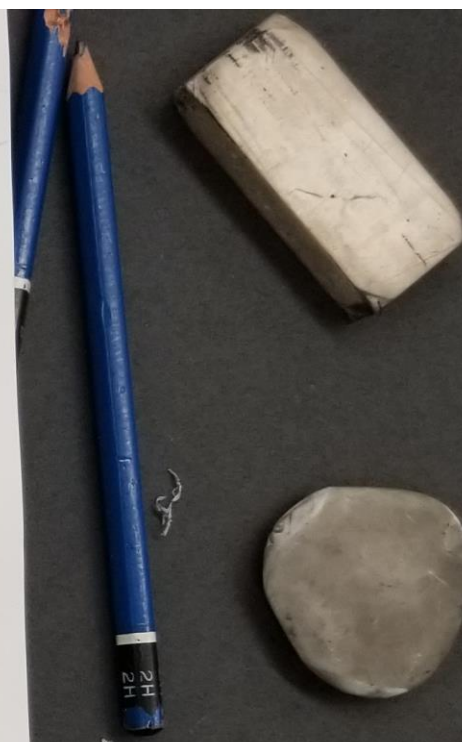
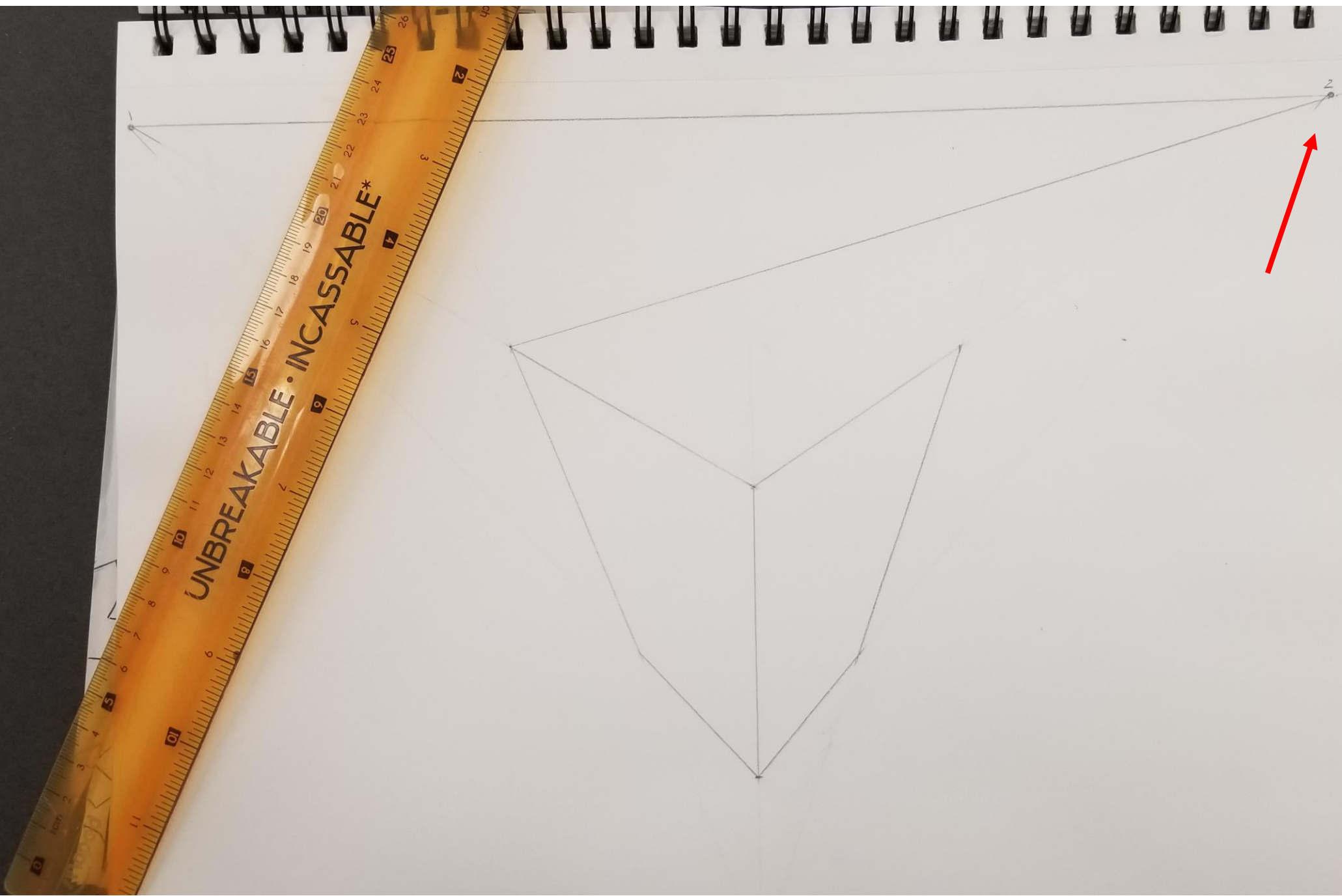


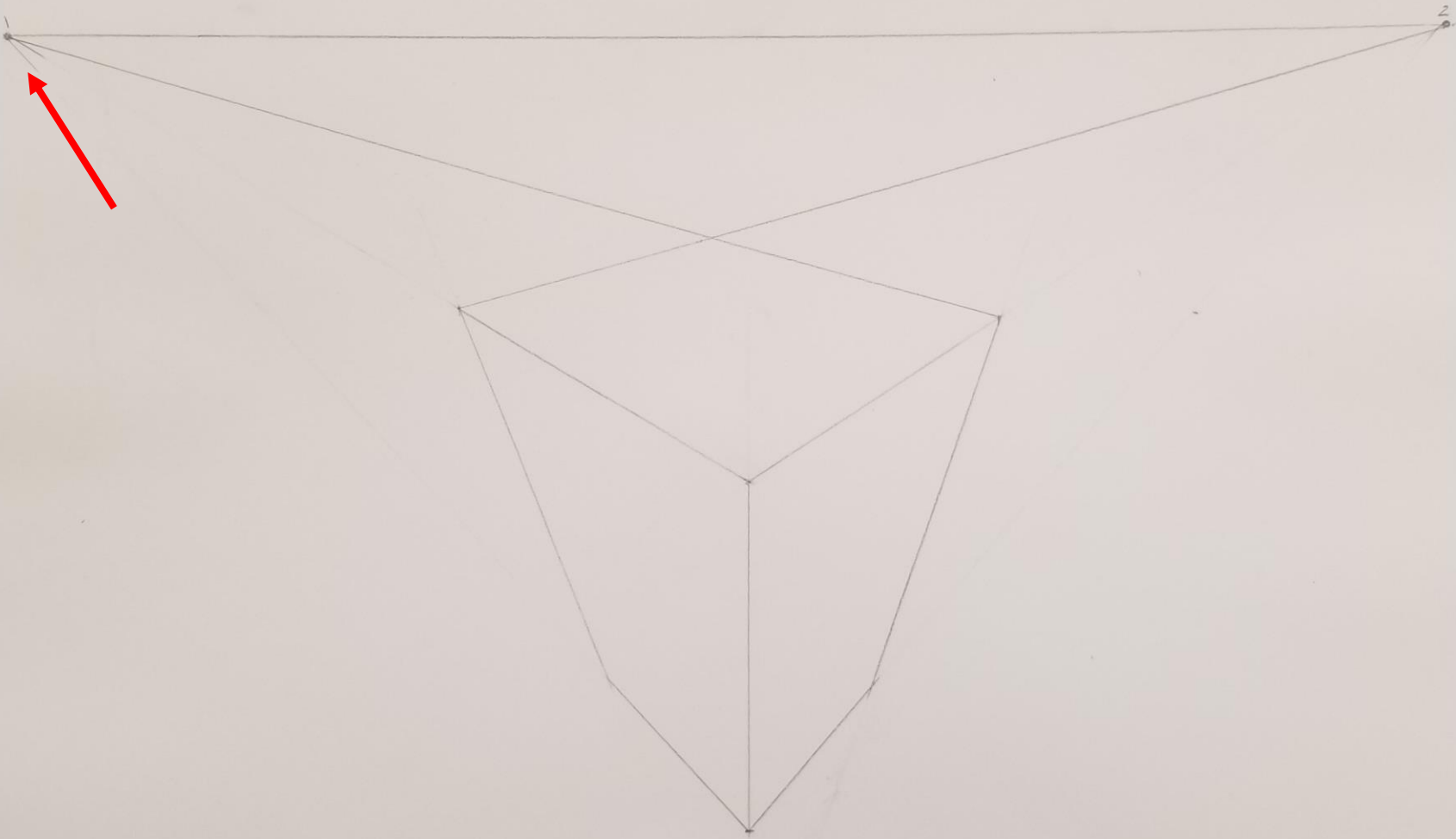


**Erase the lines you don't need.**



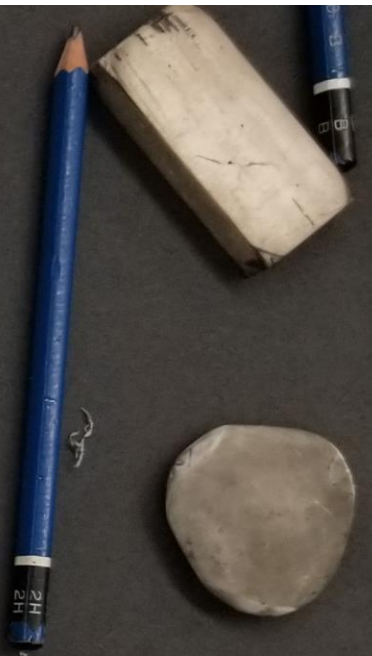






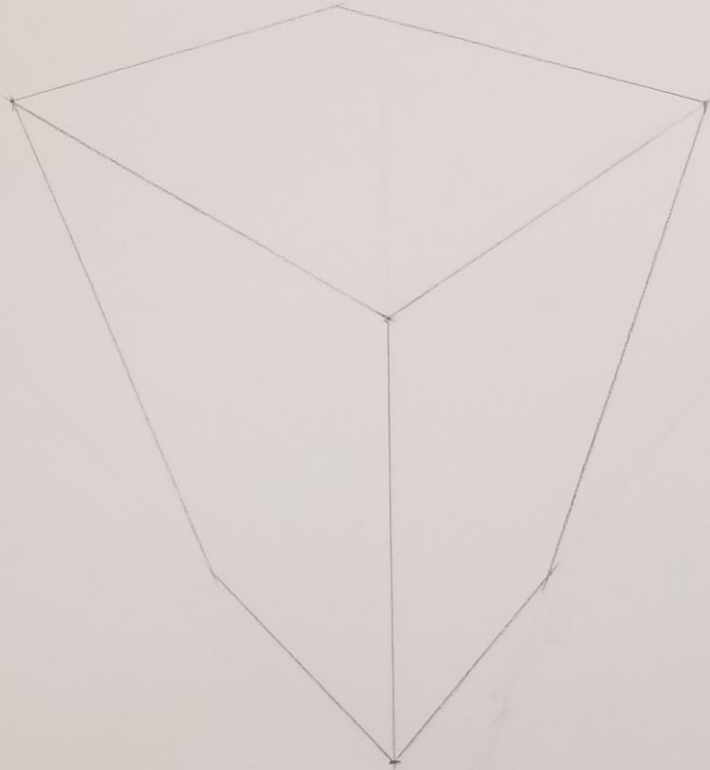
2

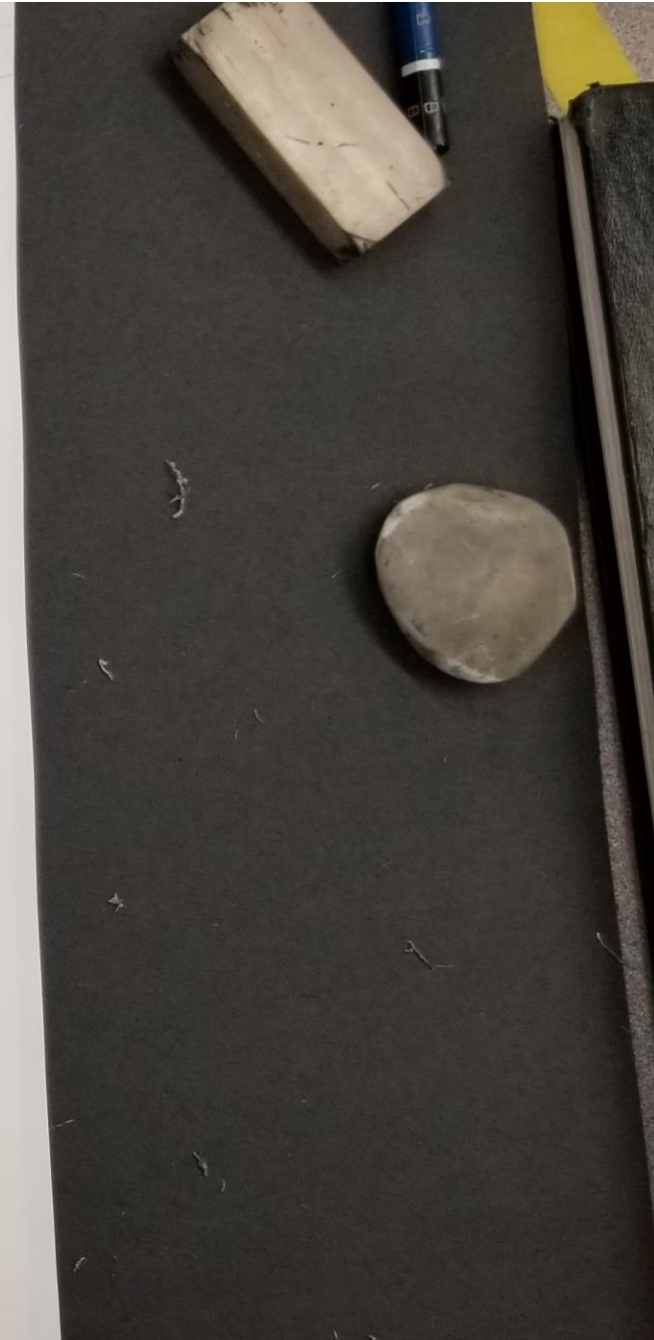
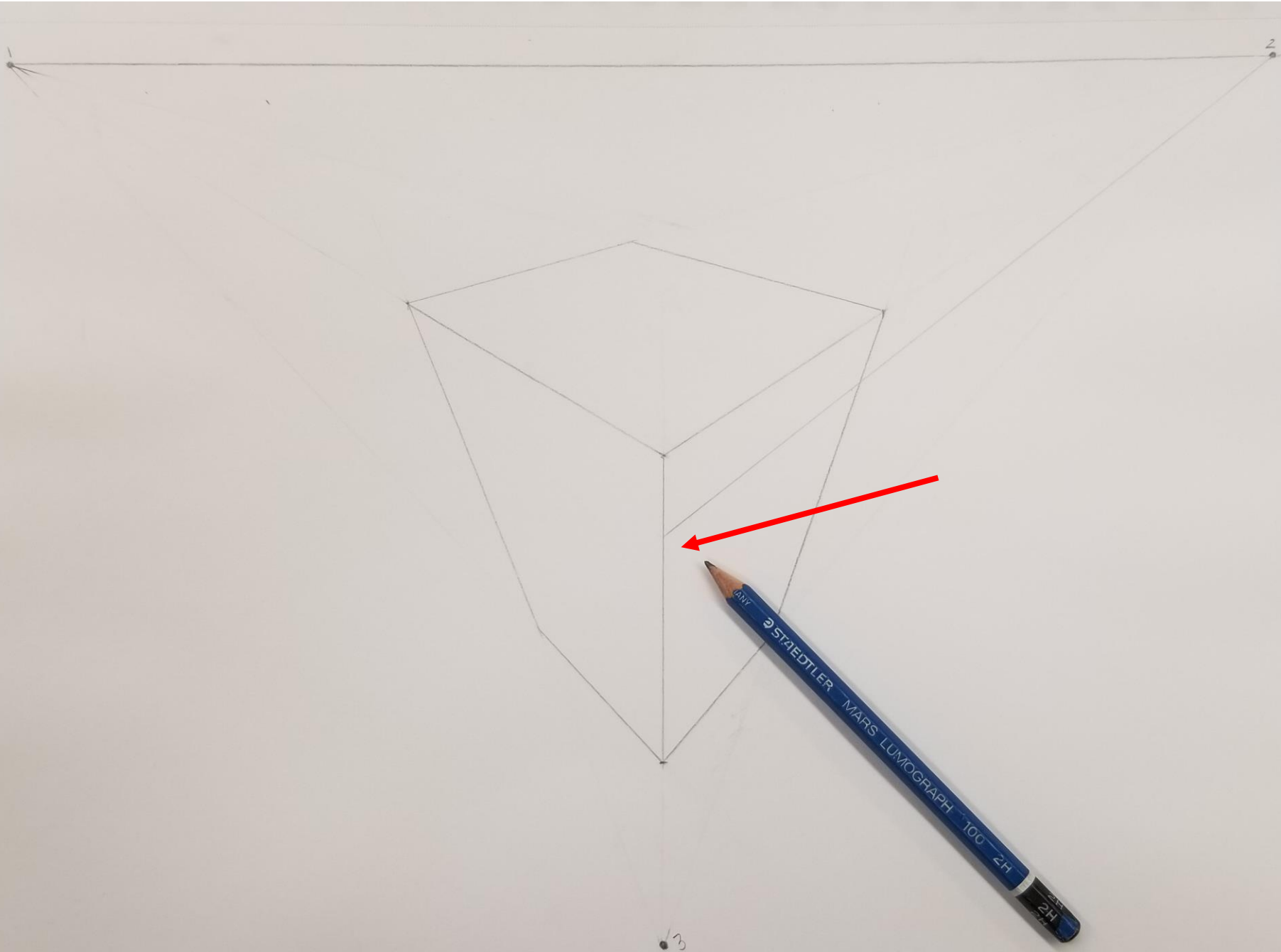
3



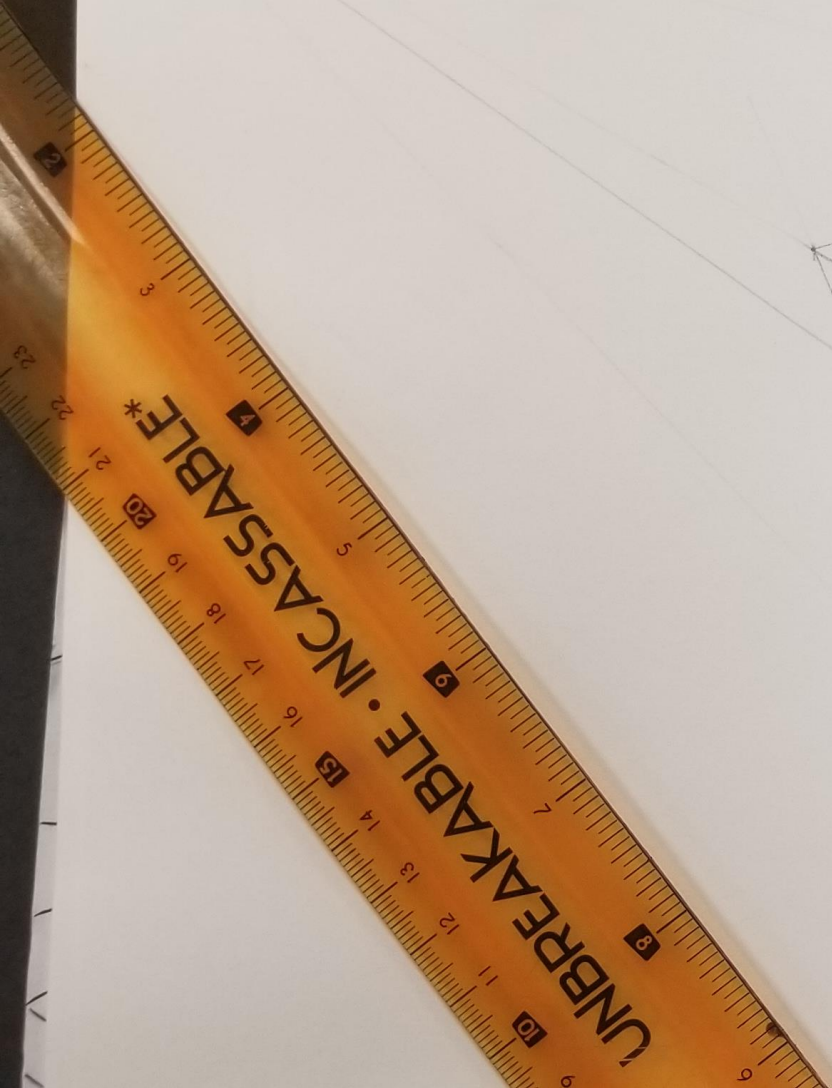
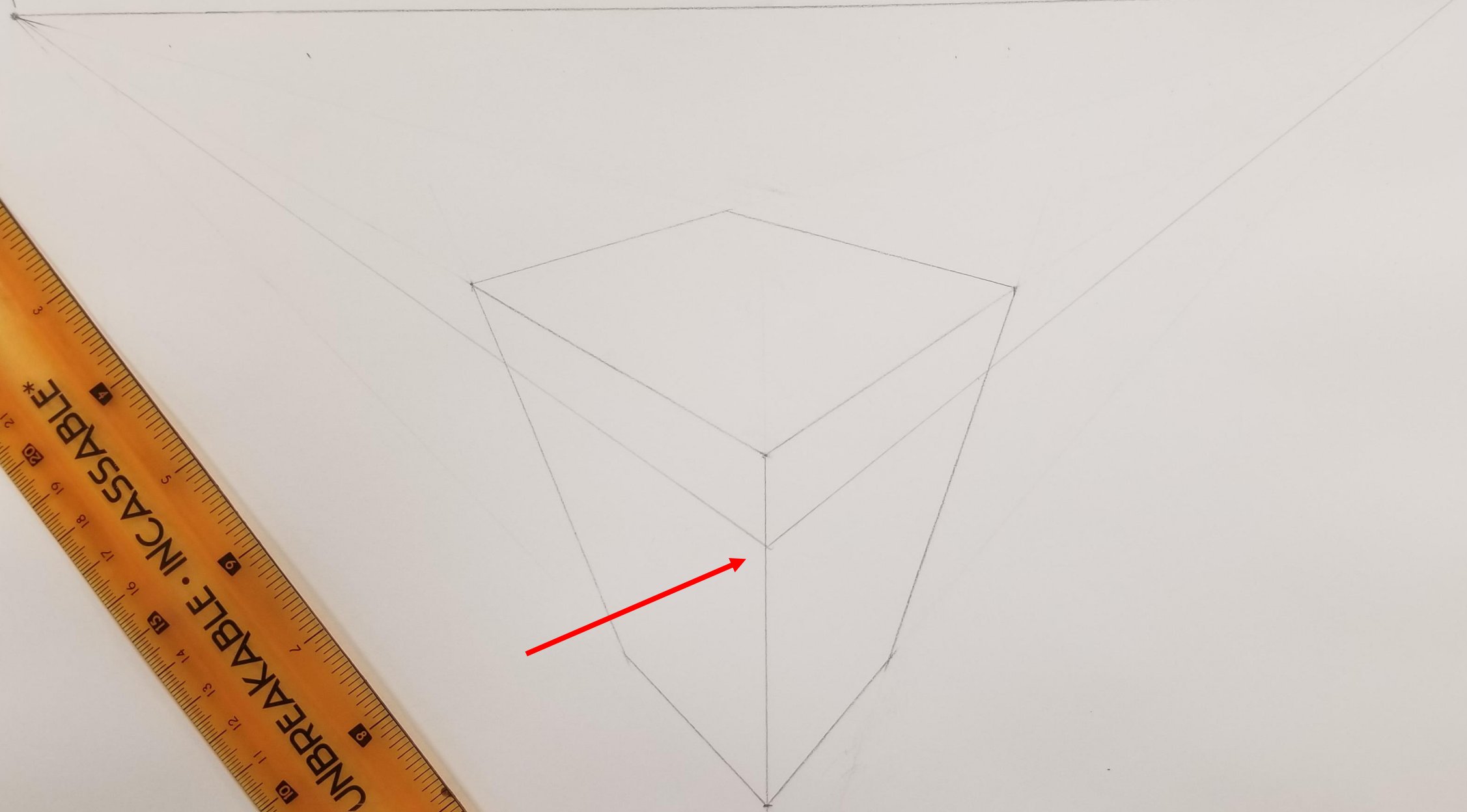


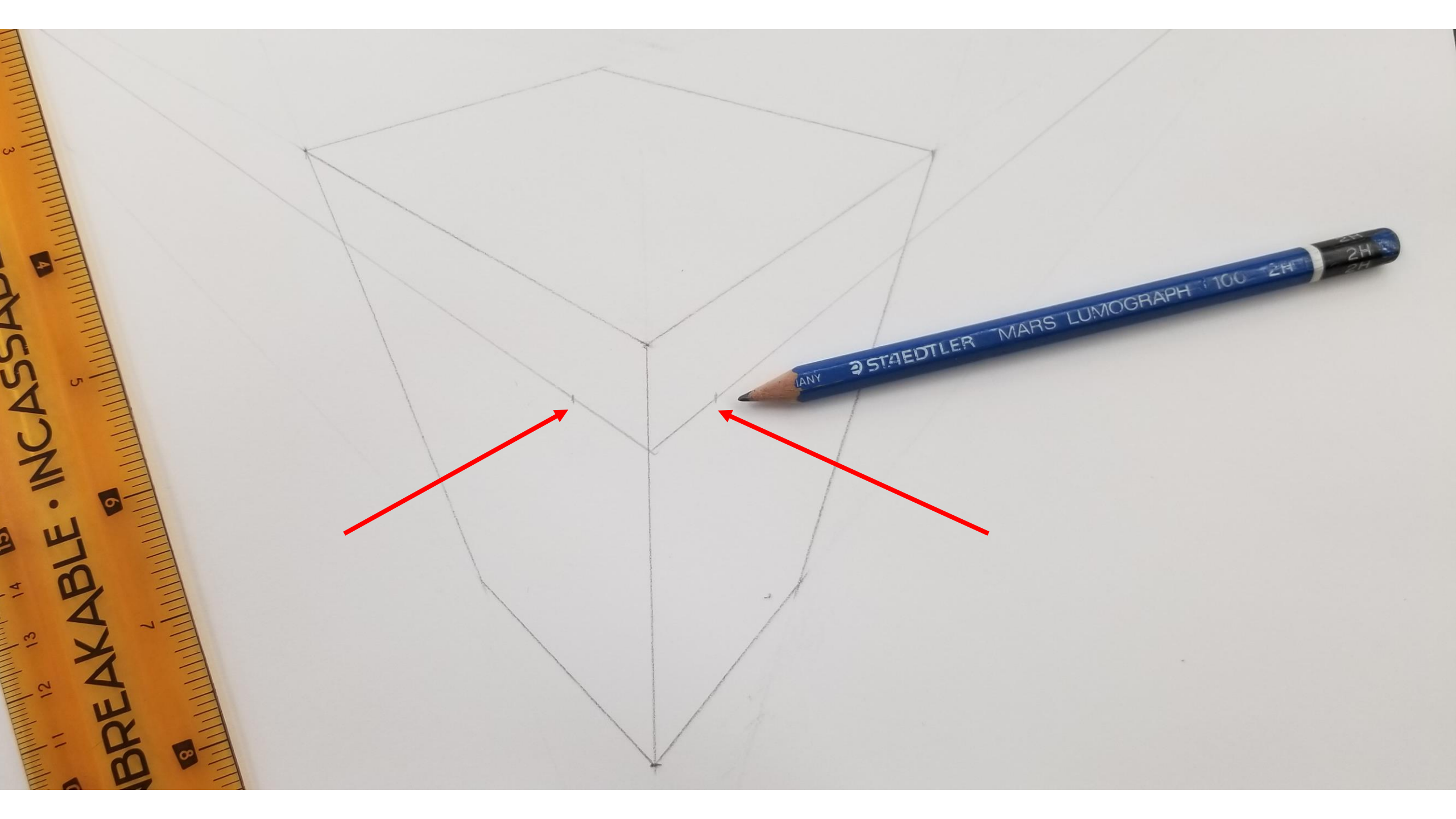
Erase the lines you don't need.







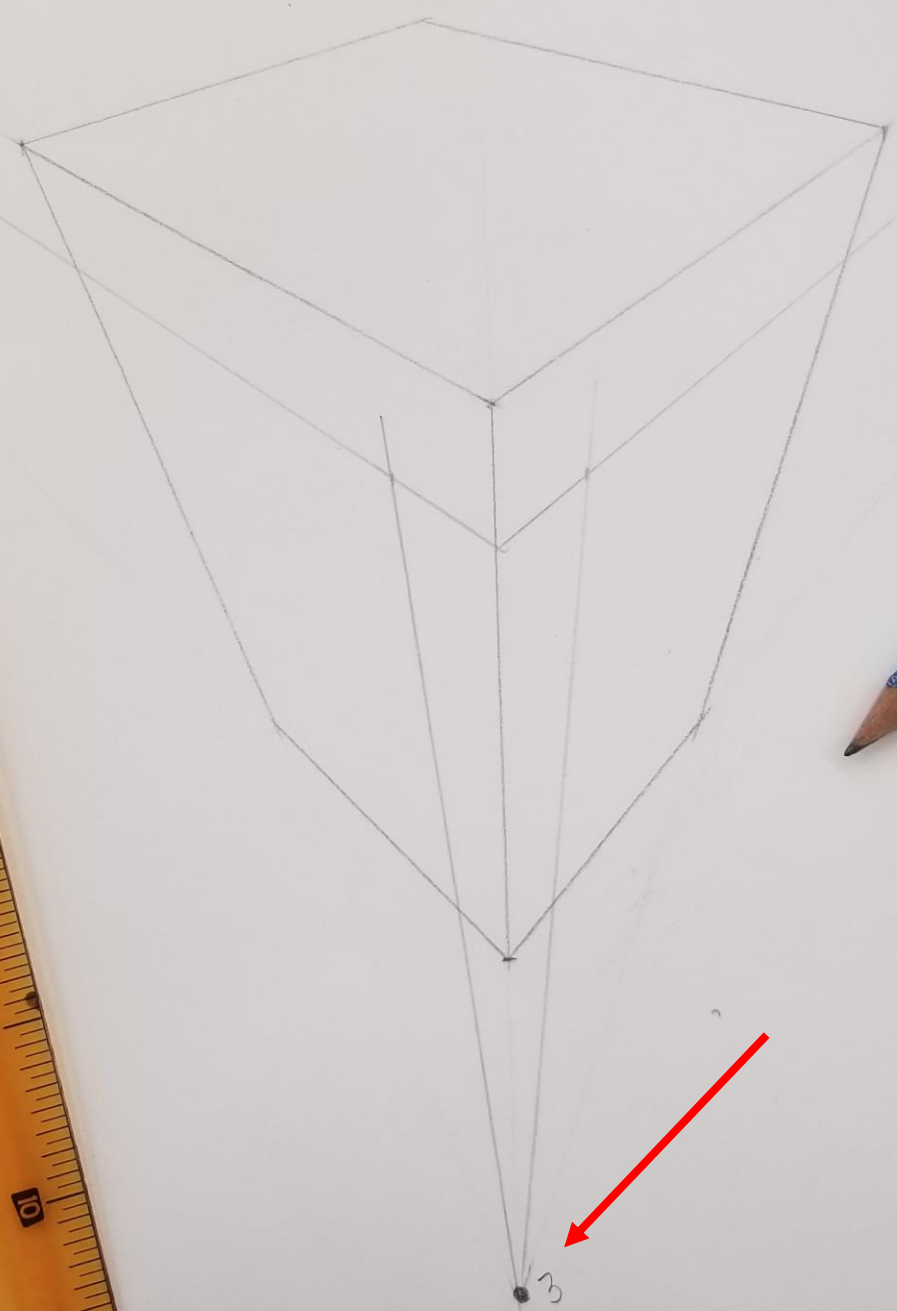
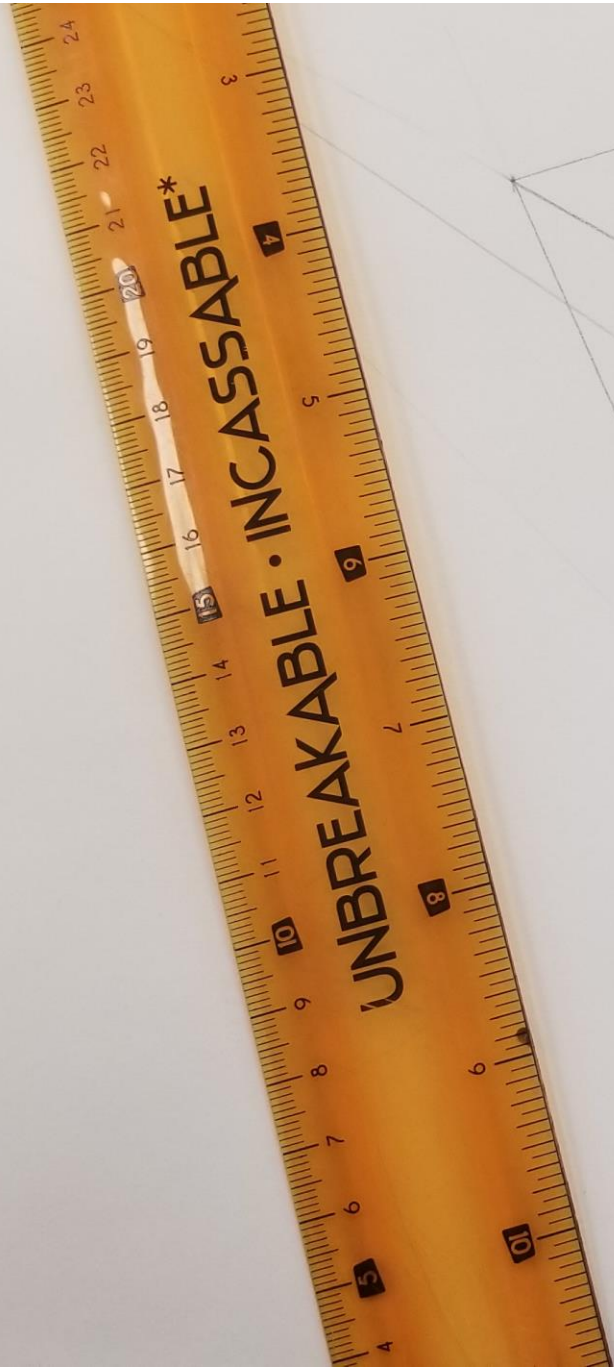




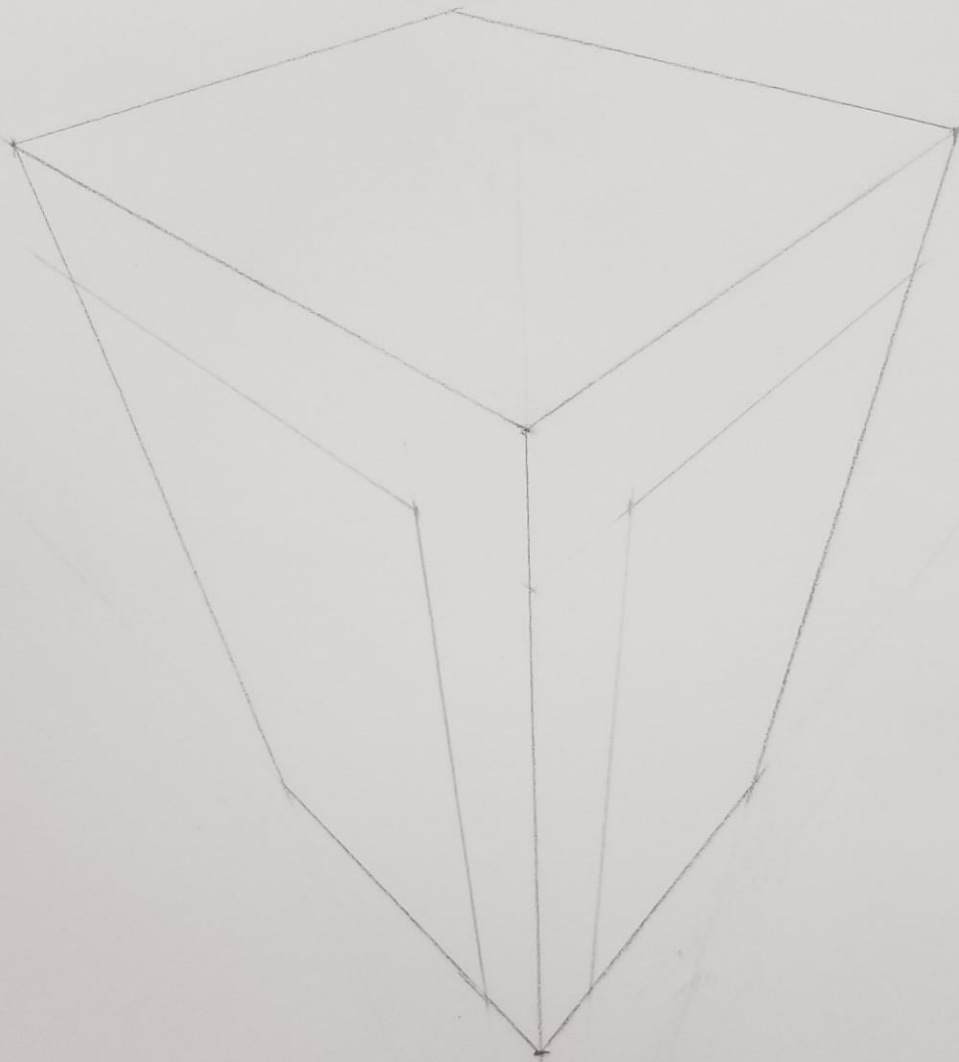
UNBREAKABLE · INCASSAP

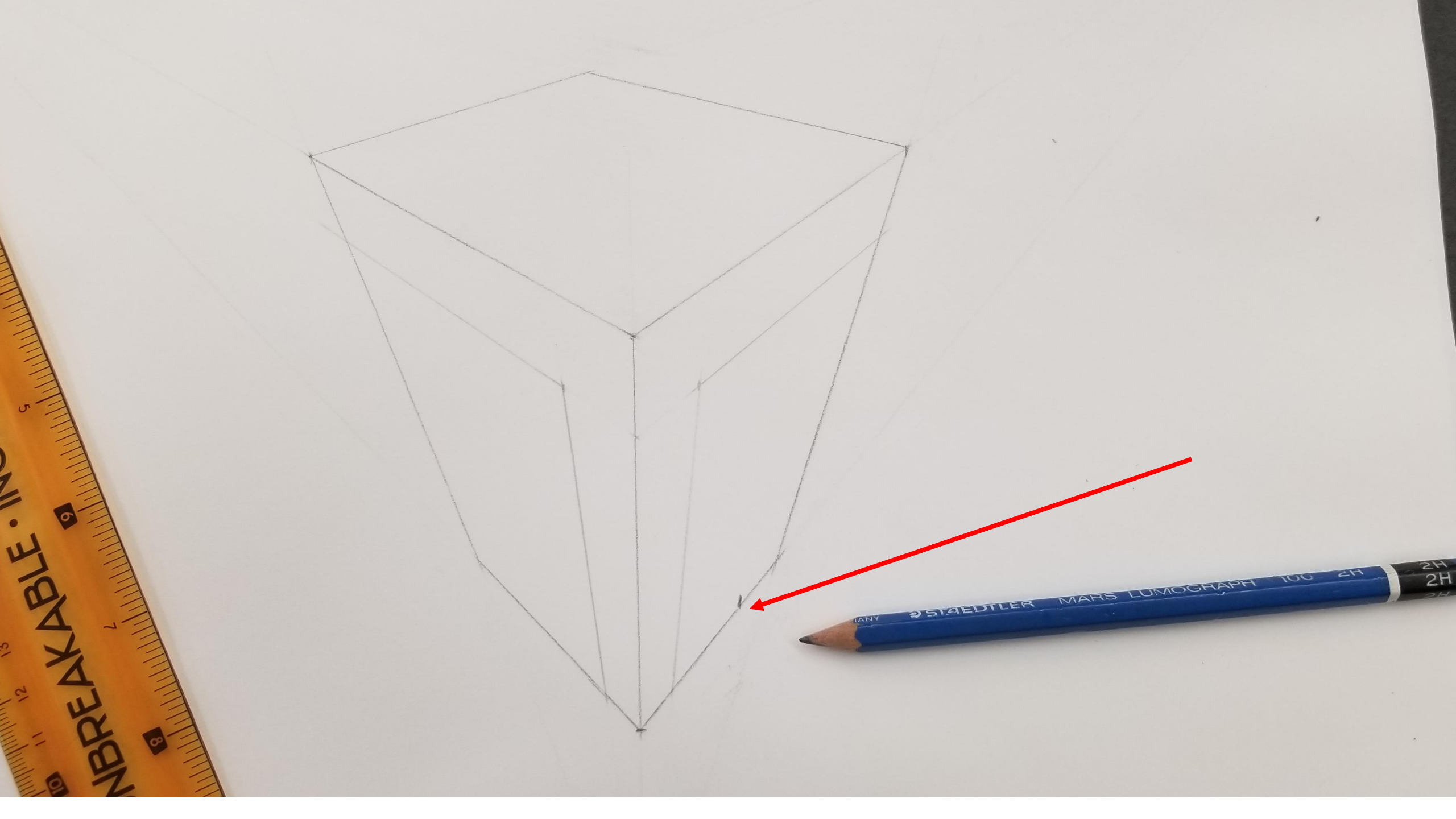
STAEOTLER MARS LUMOGRAPH 100 2H



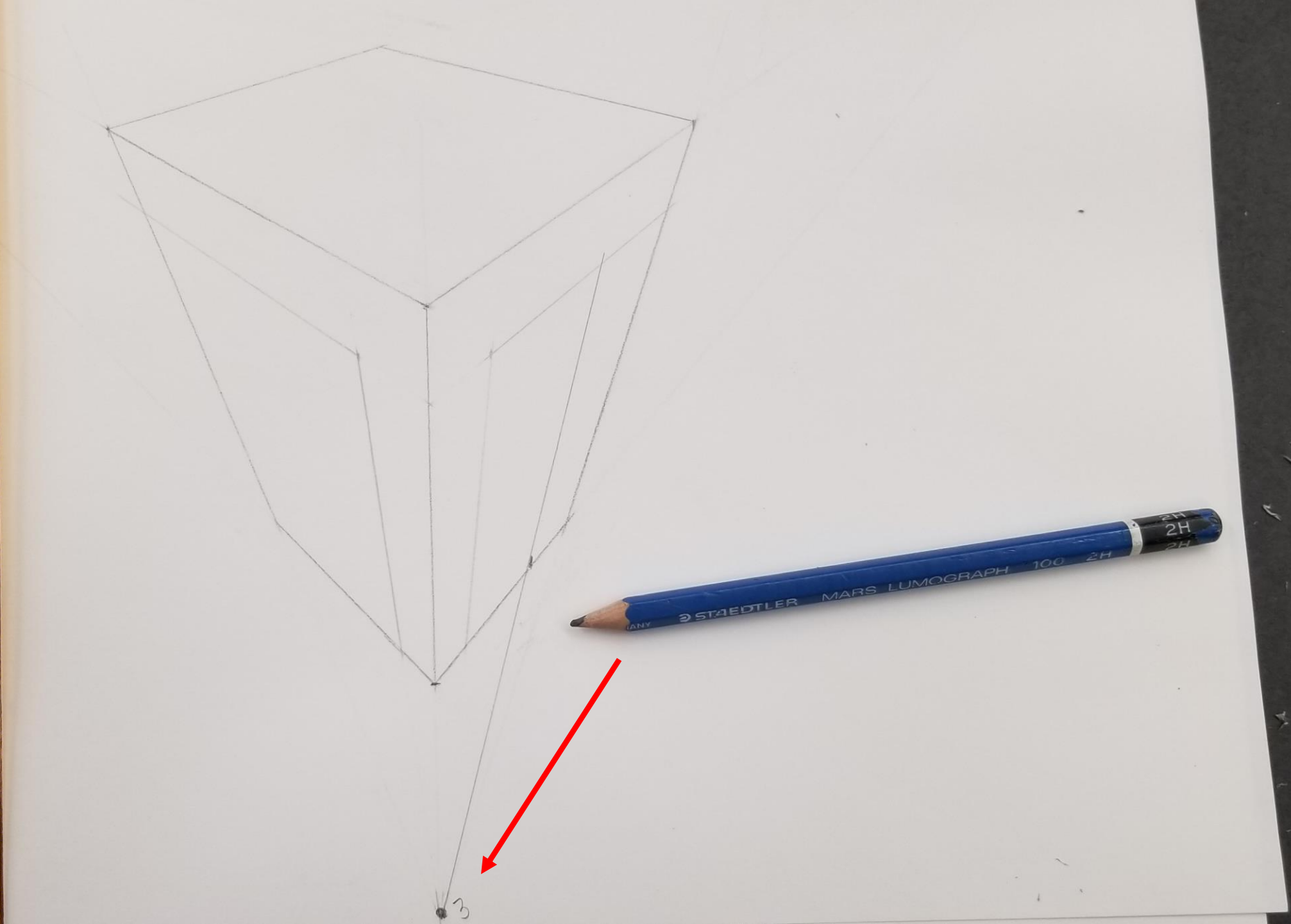


Erase the lines you don't need.







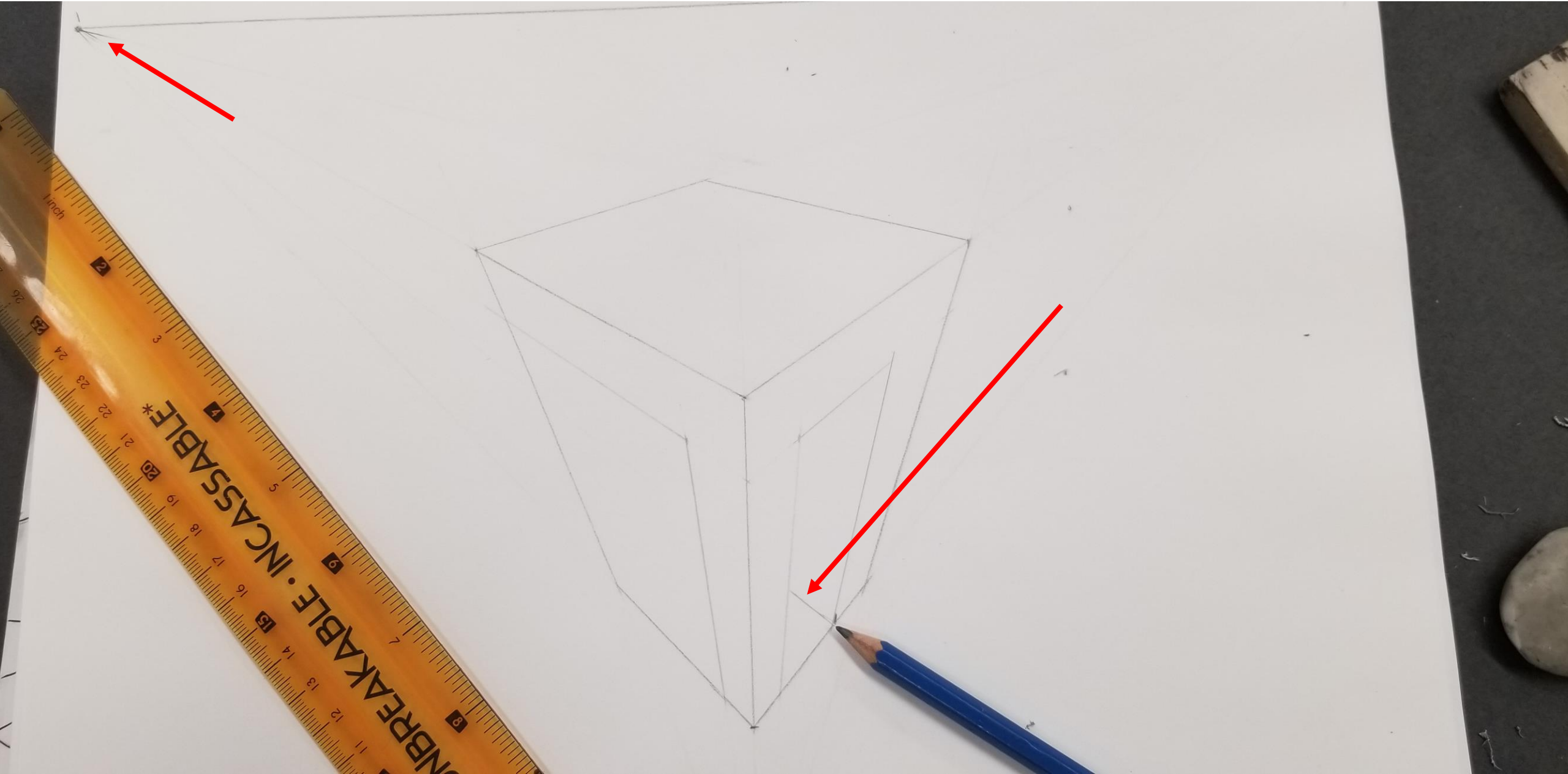




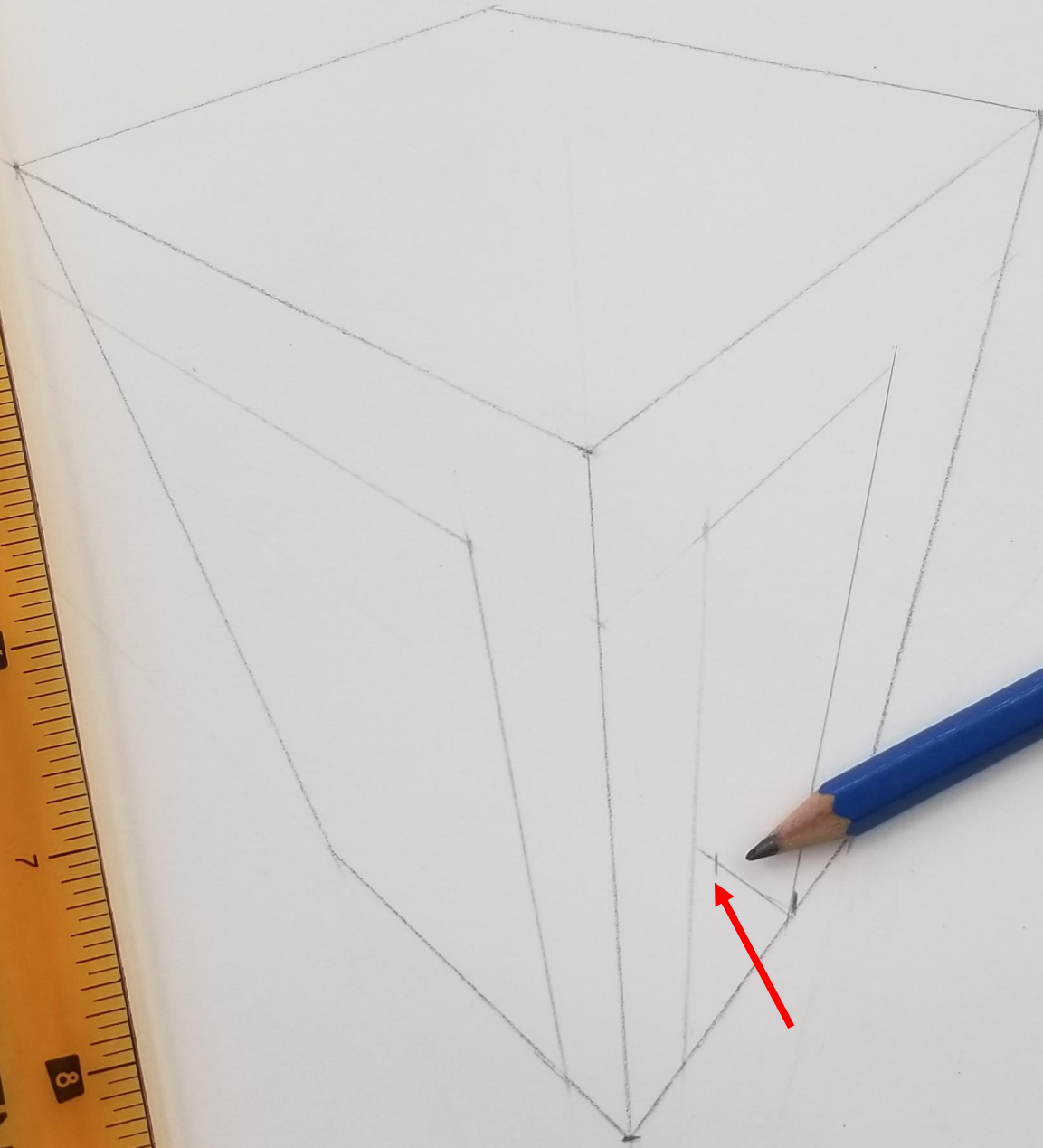
Erase the lines you don't need.

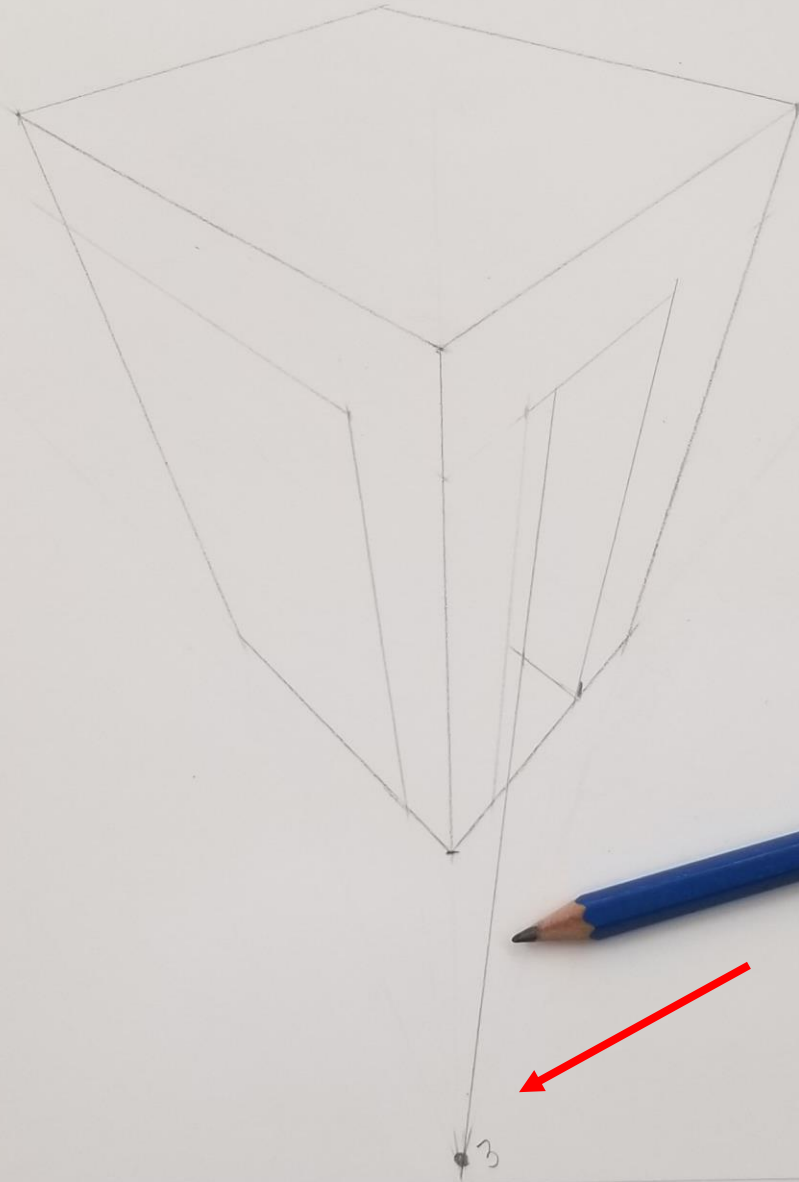


3

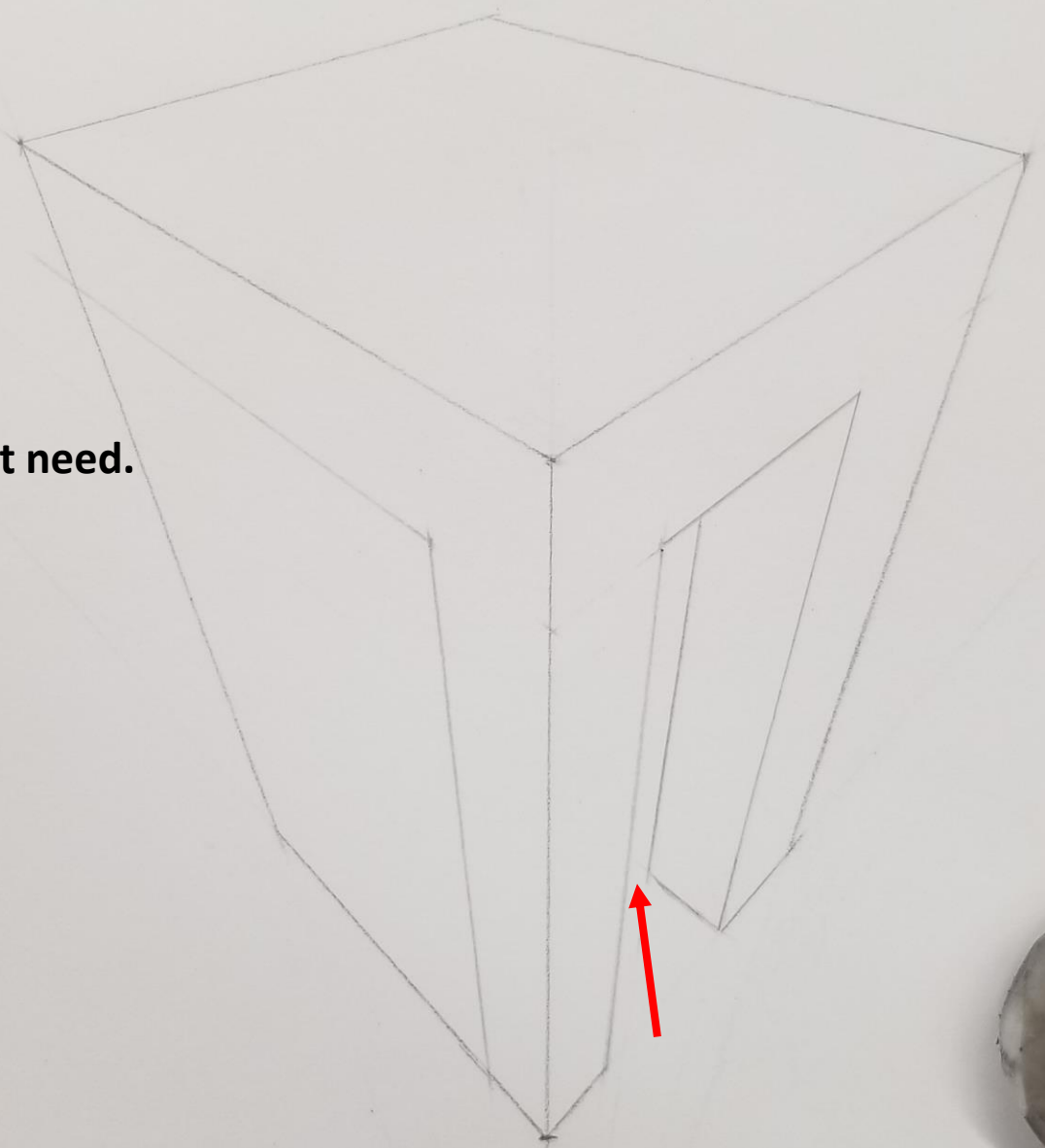




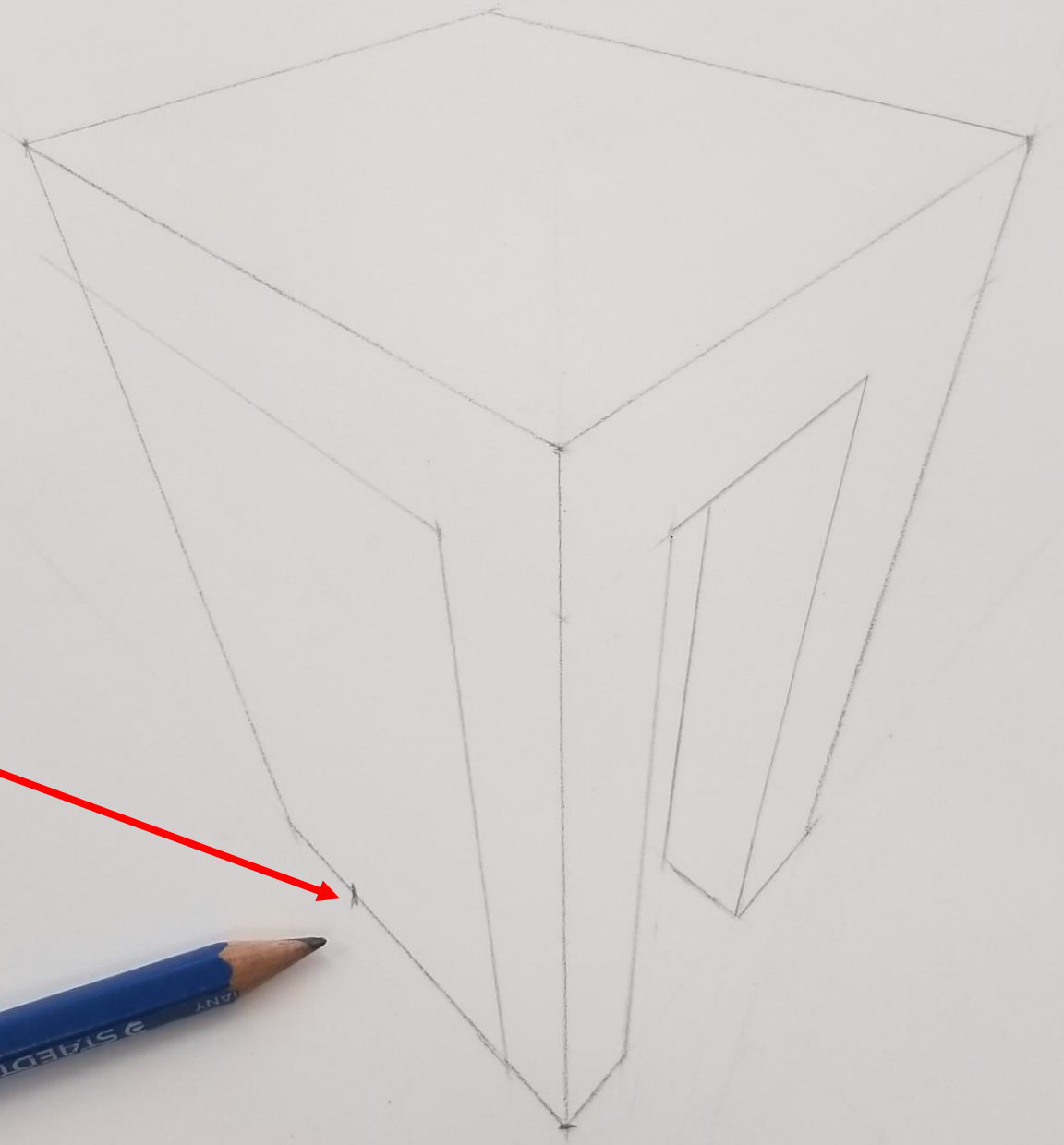


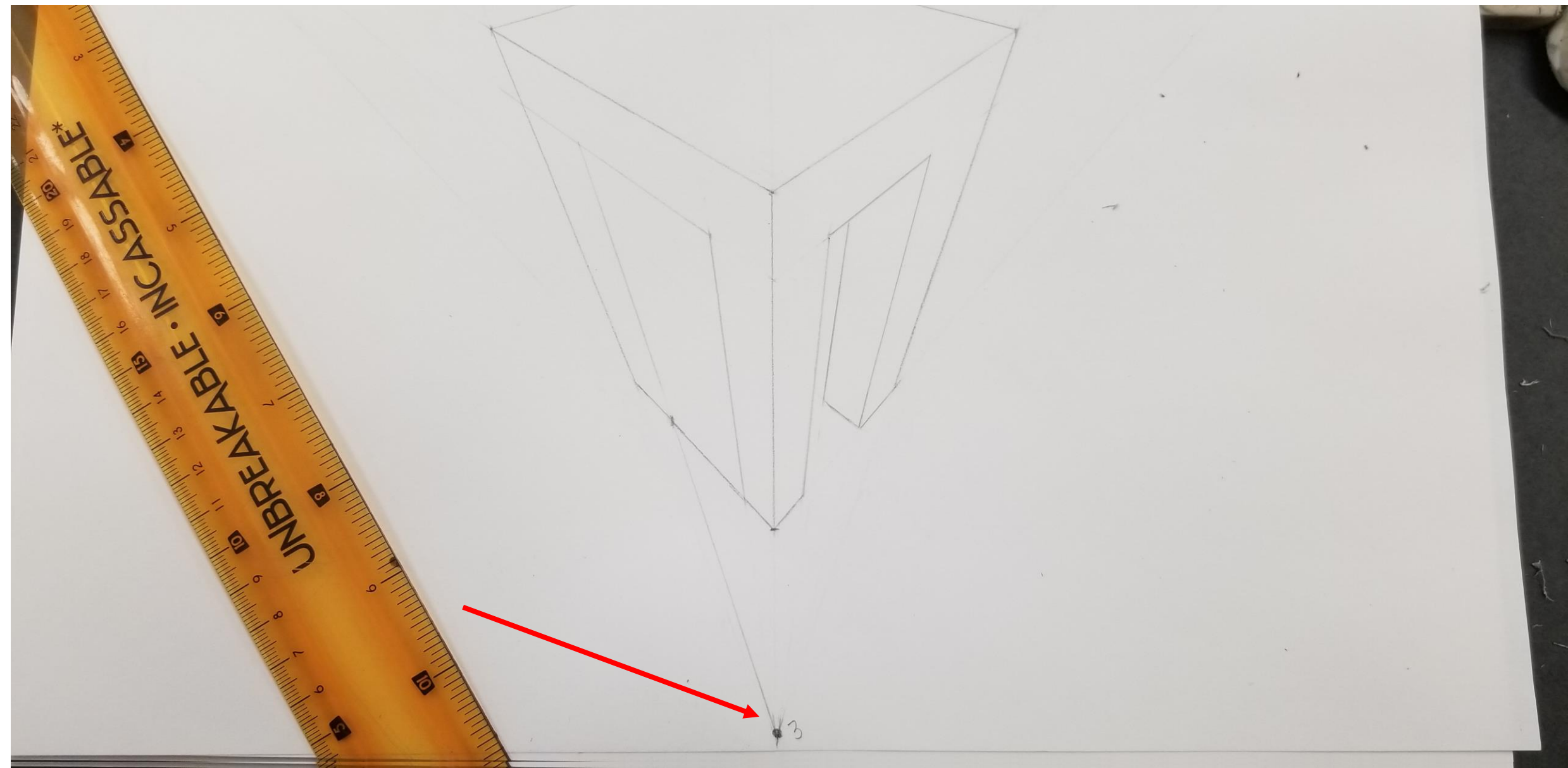


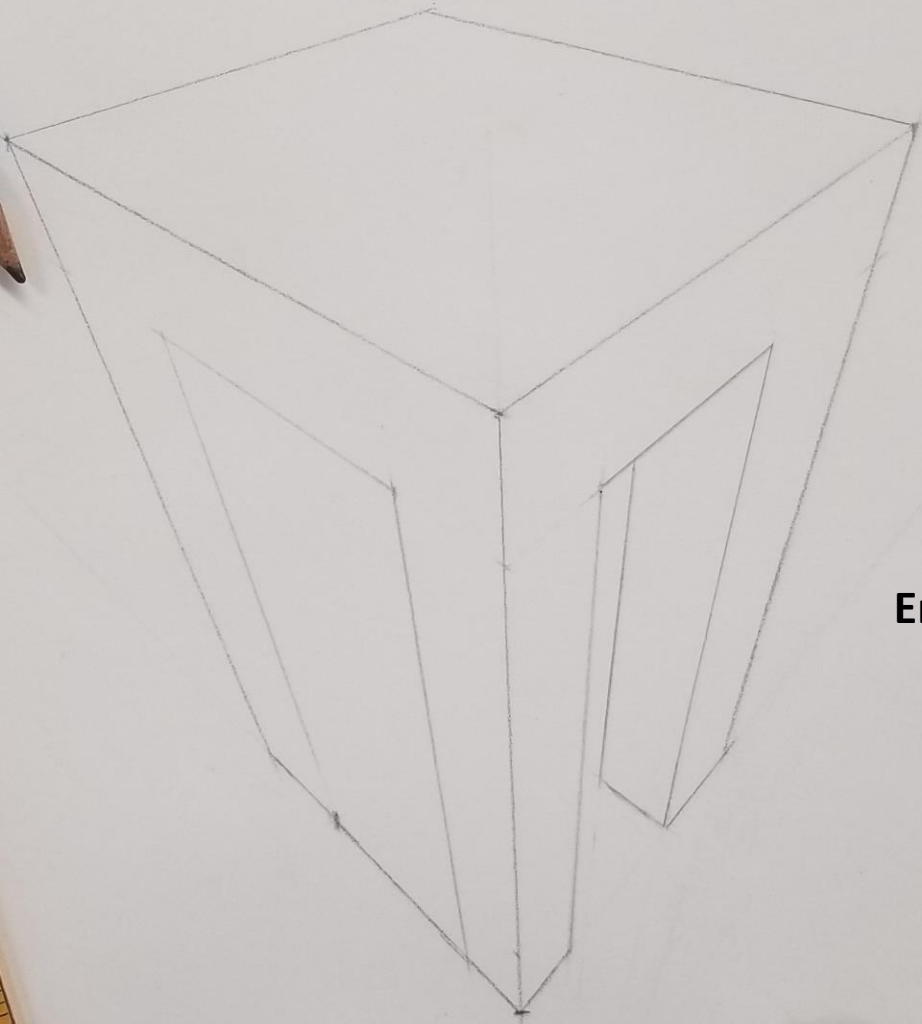
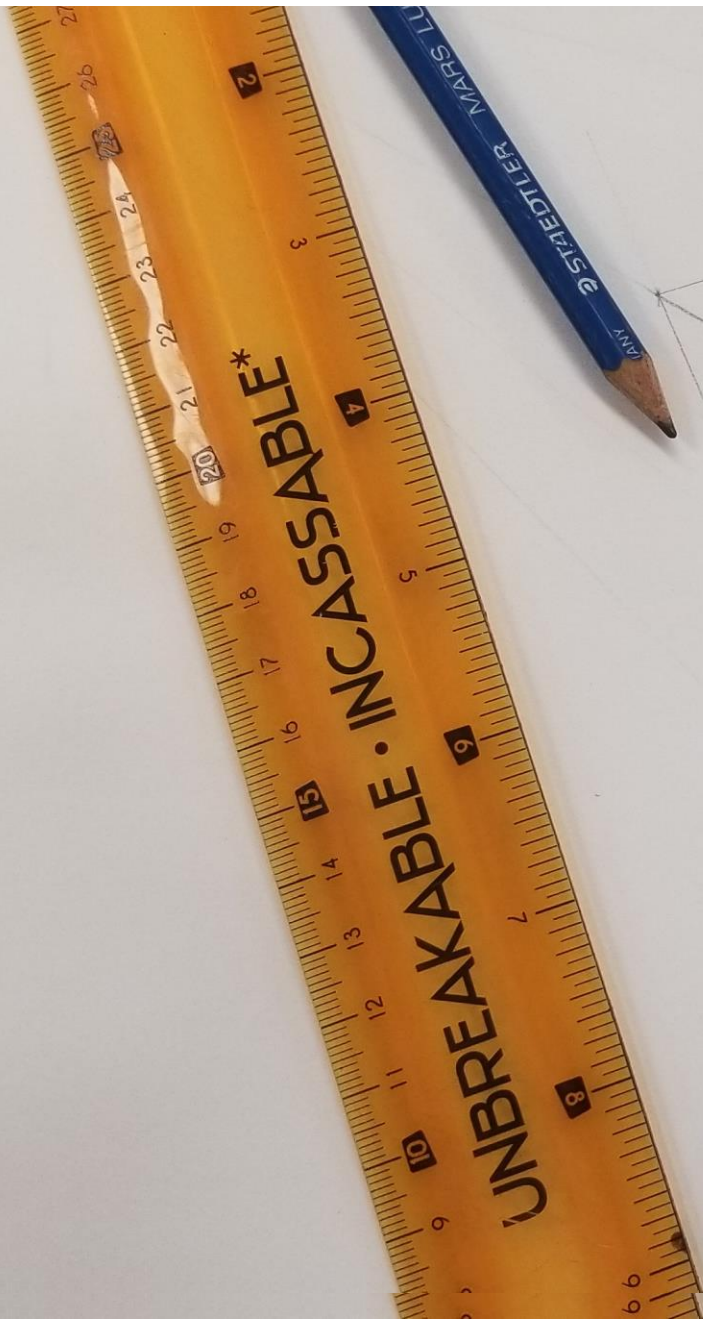
Erase the lines you don't need.







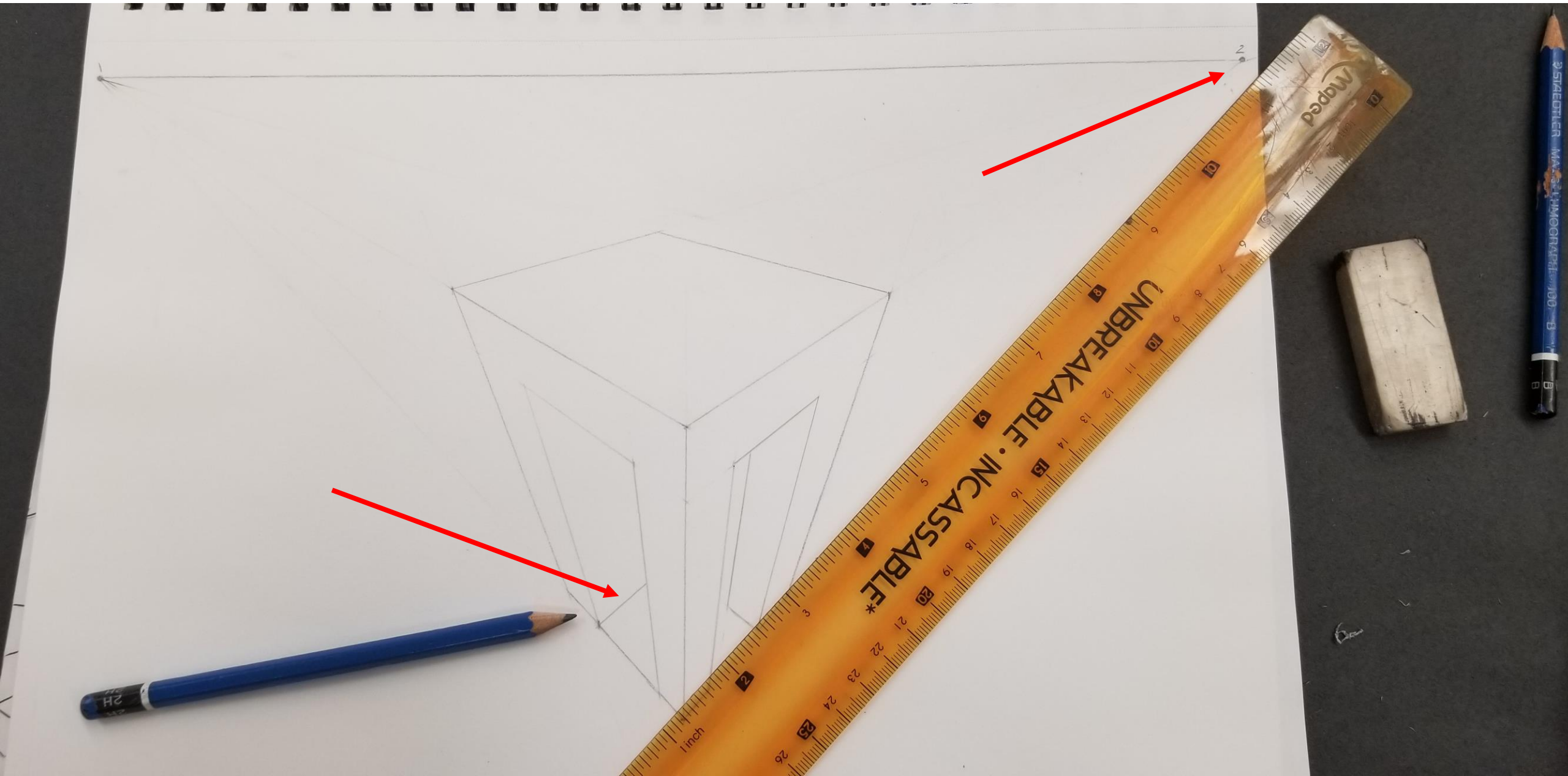


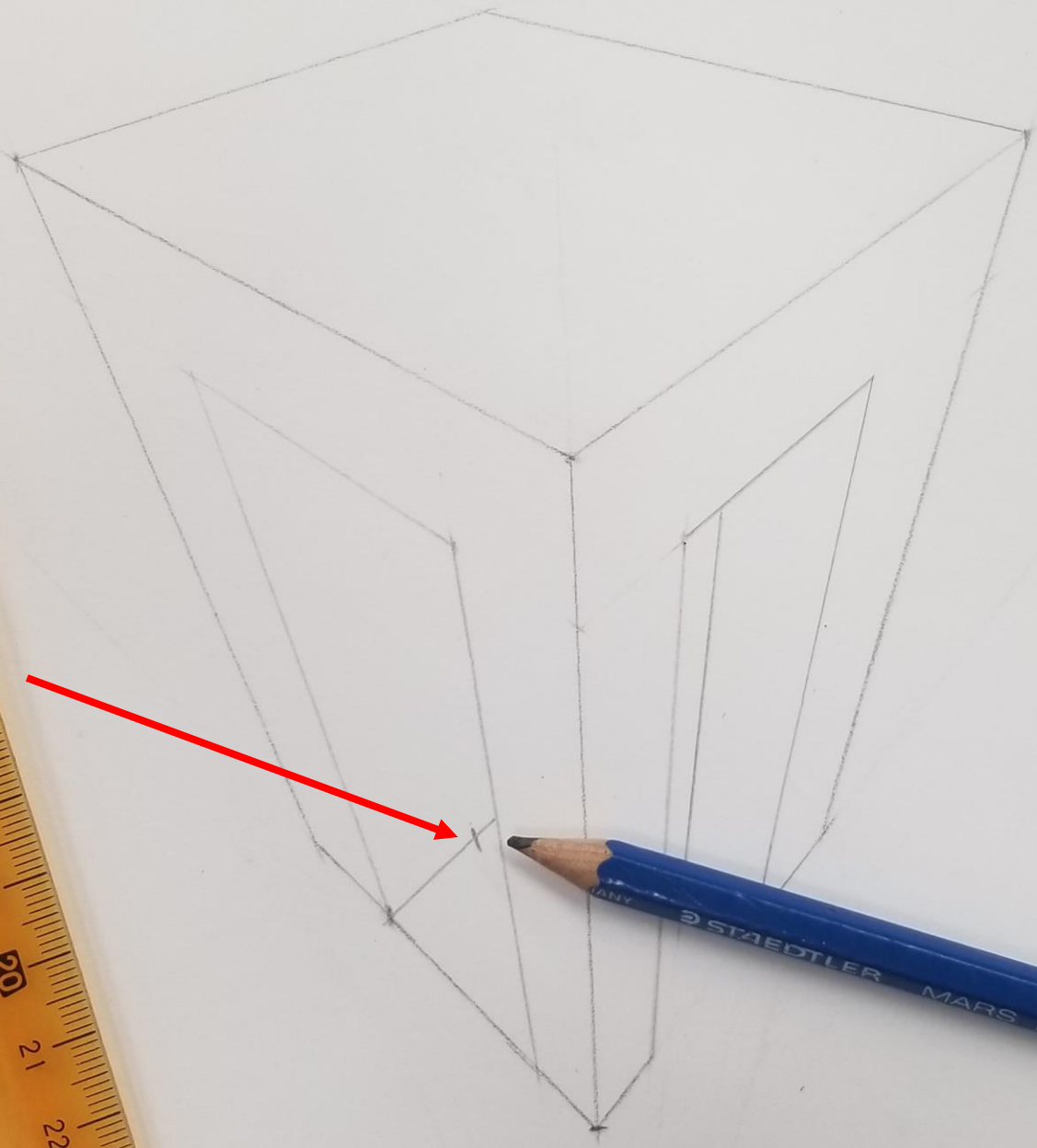
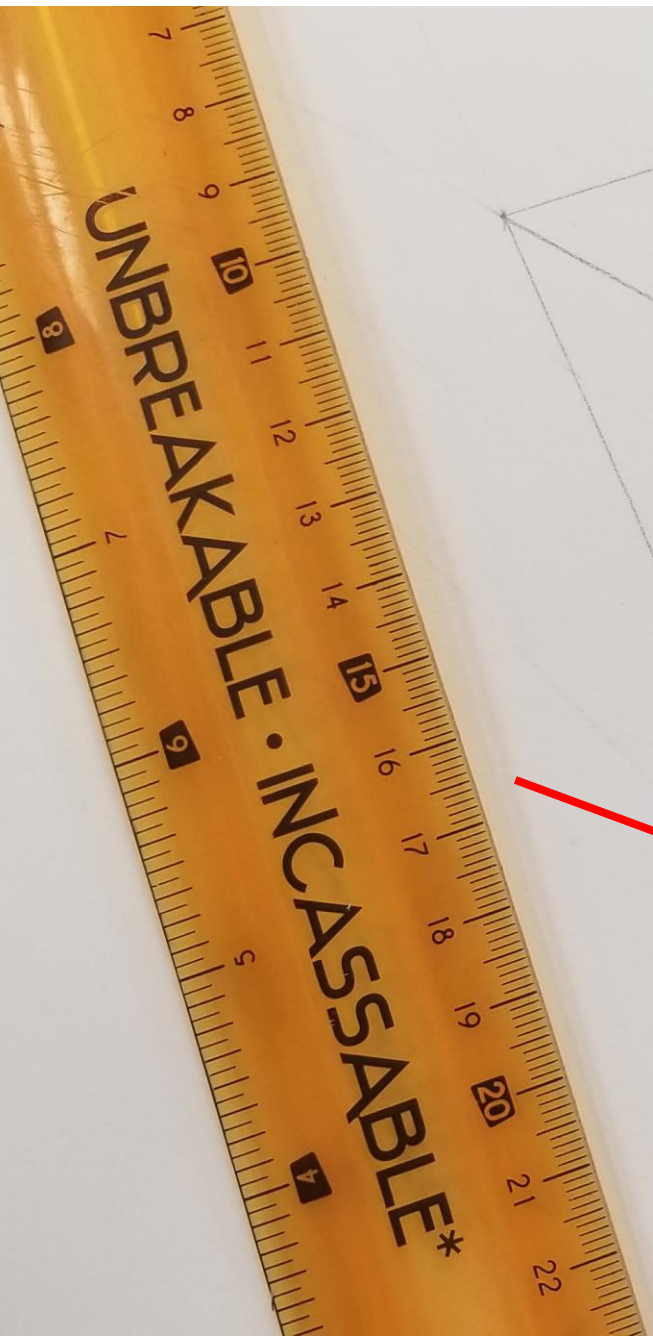


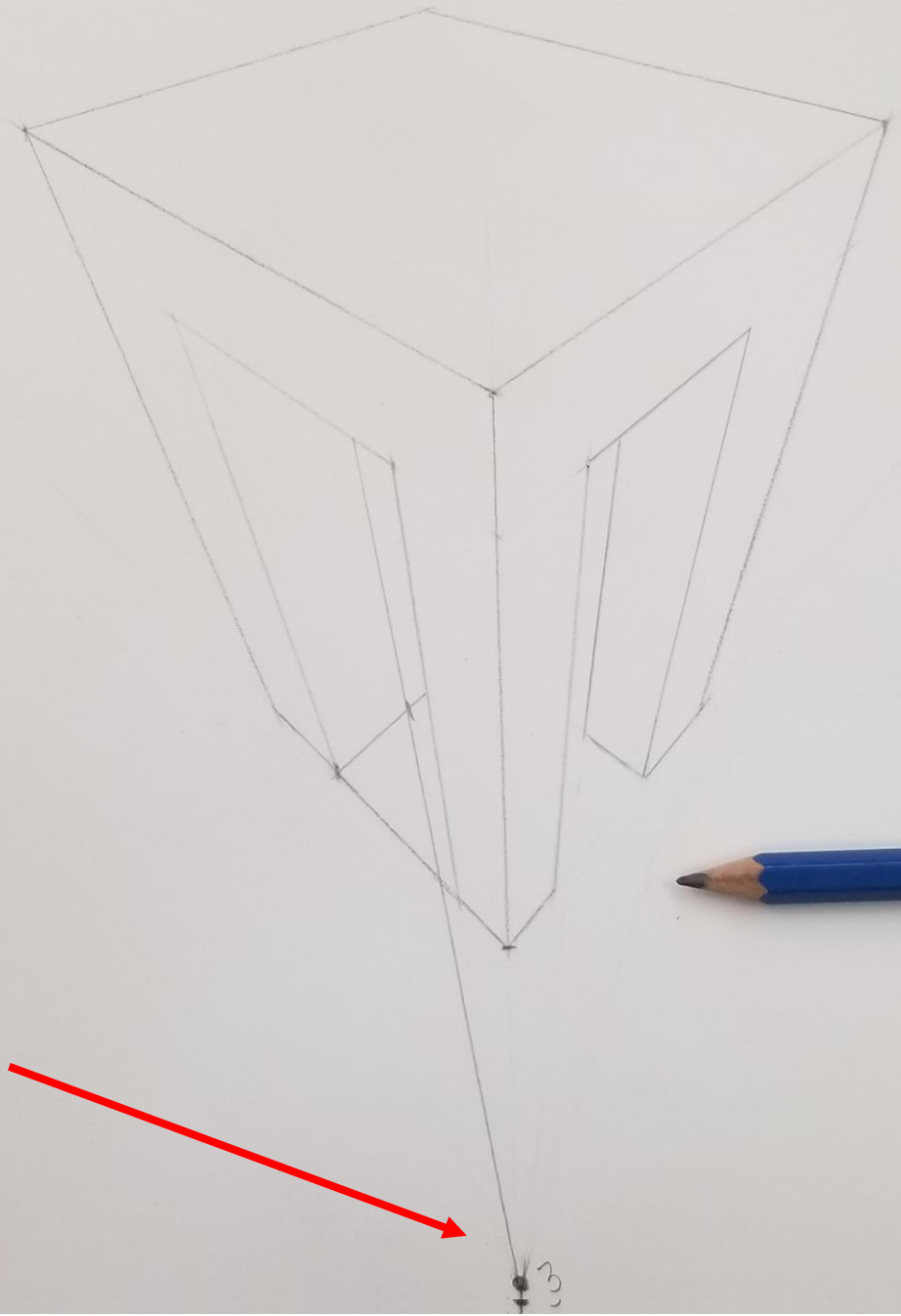
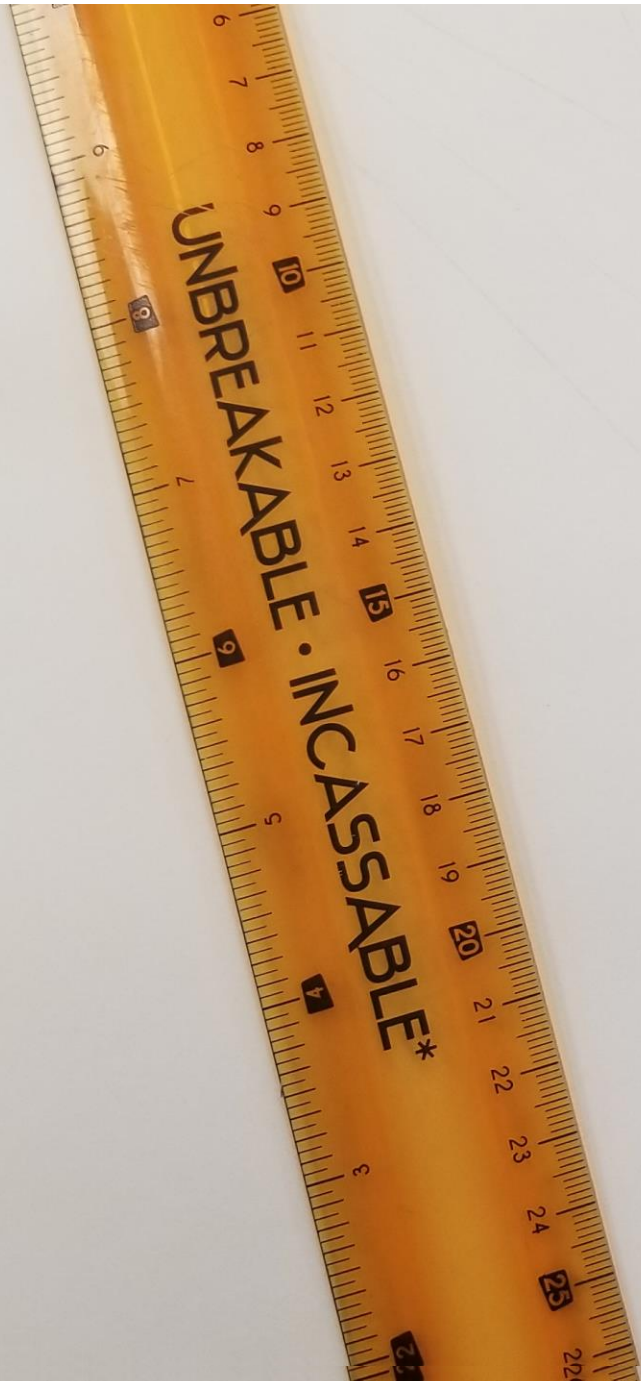
**Erase the lines you don't need.**









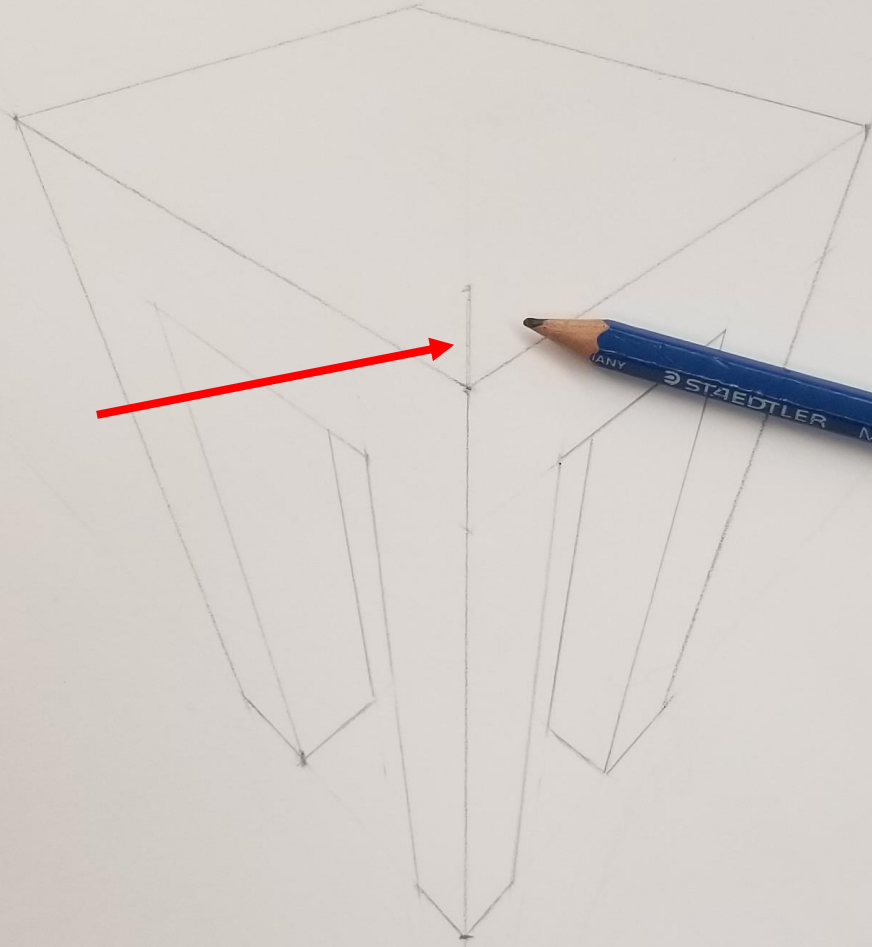


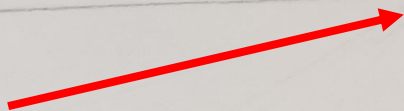
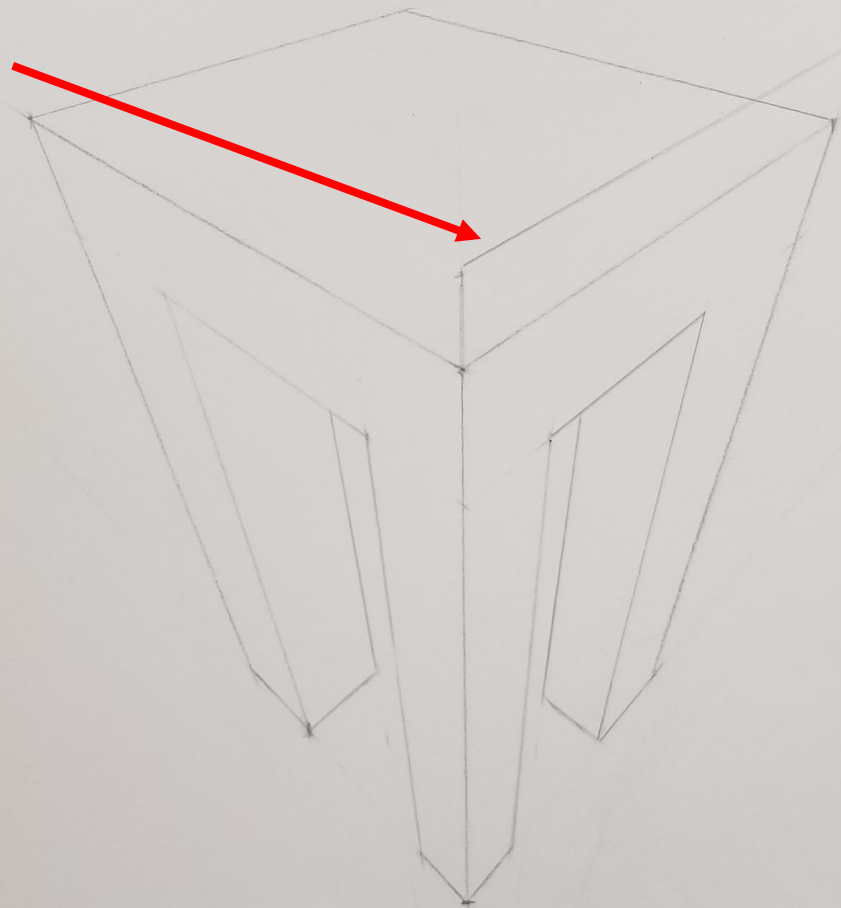




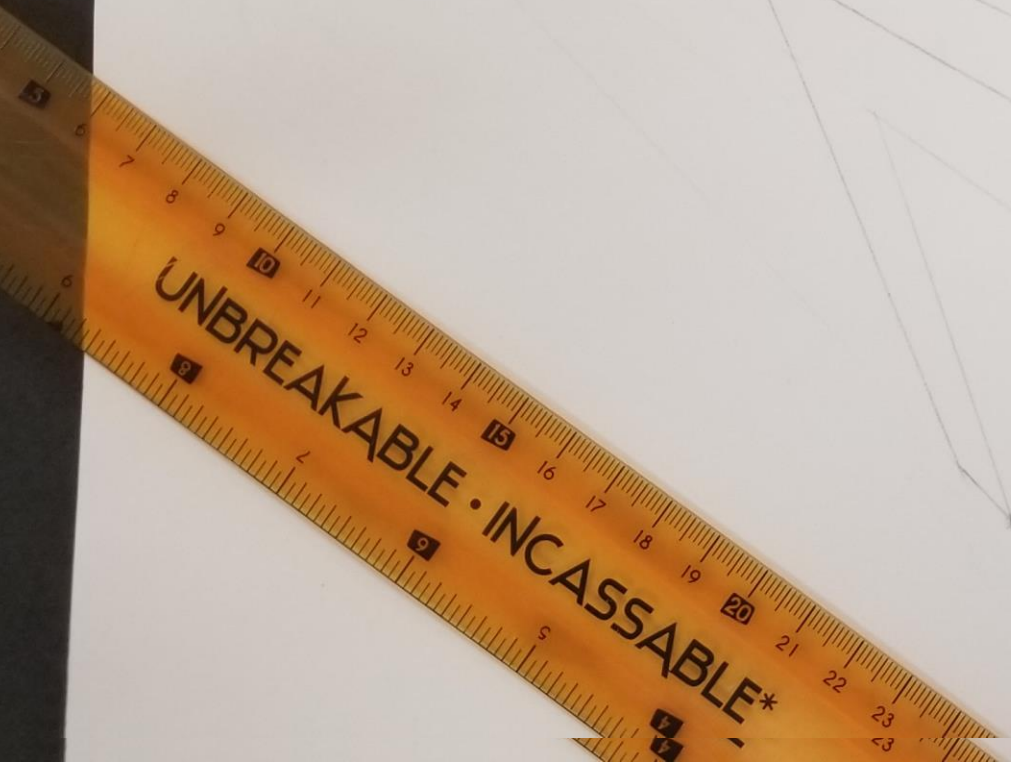
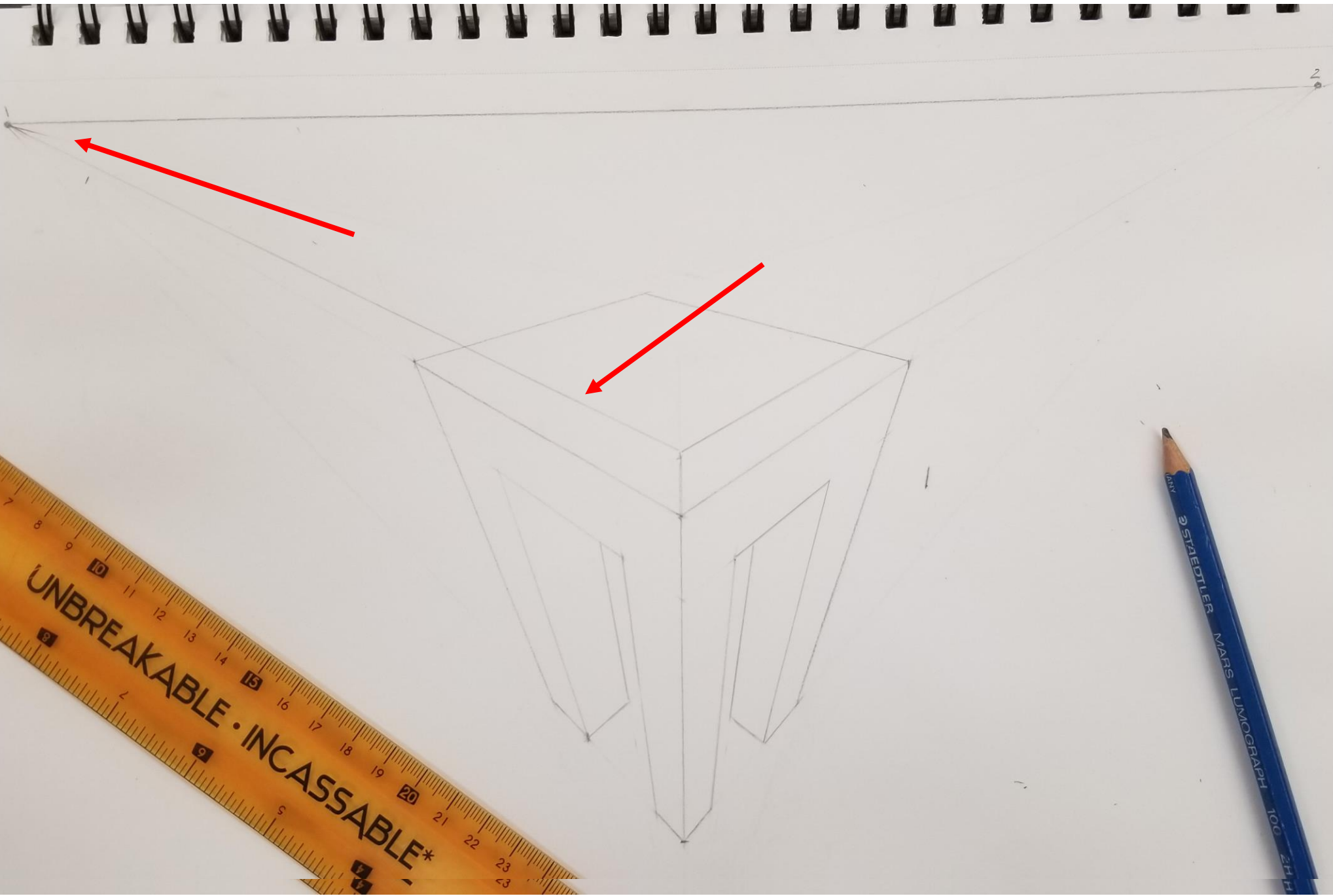
**Erase the lines you don't need.**



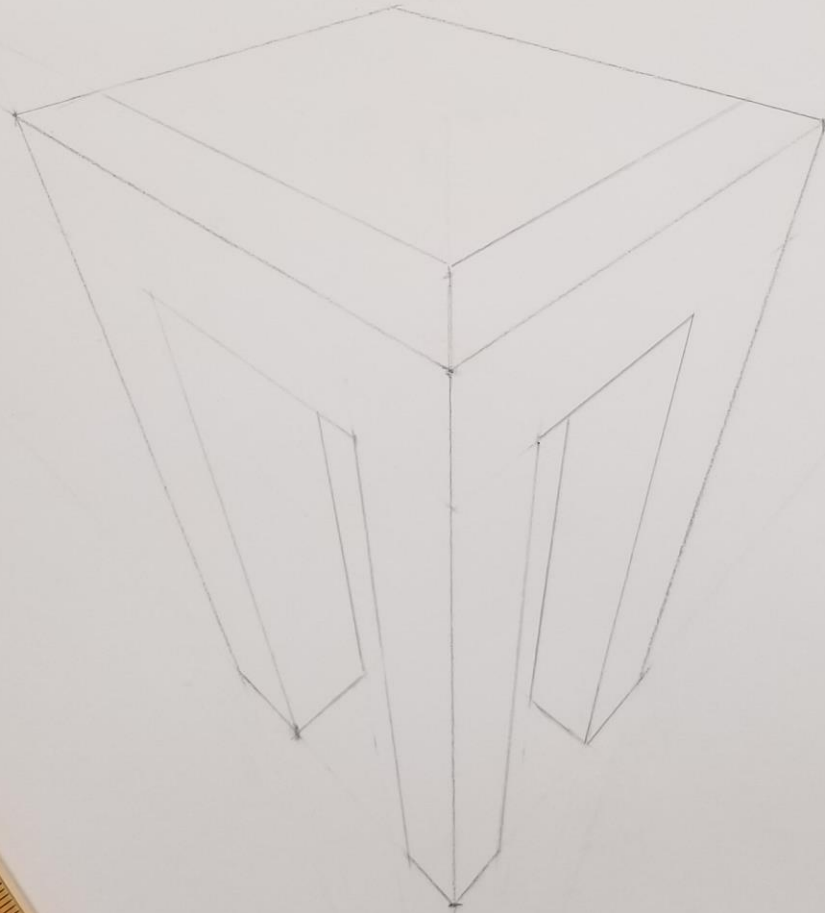


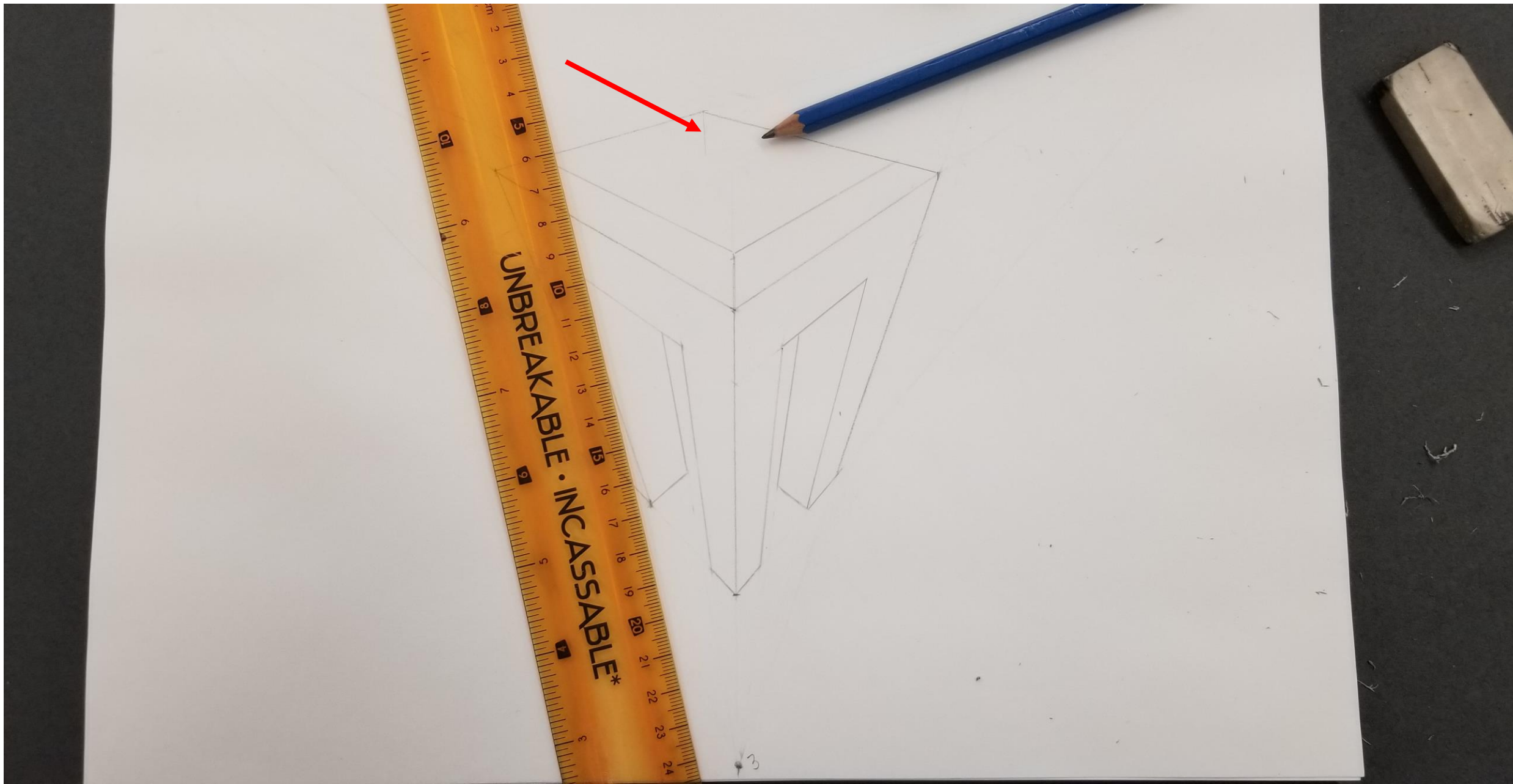




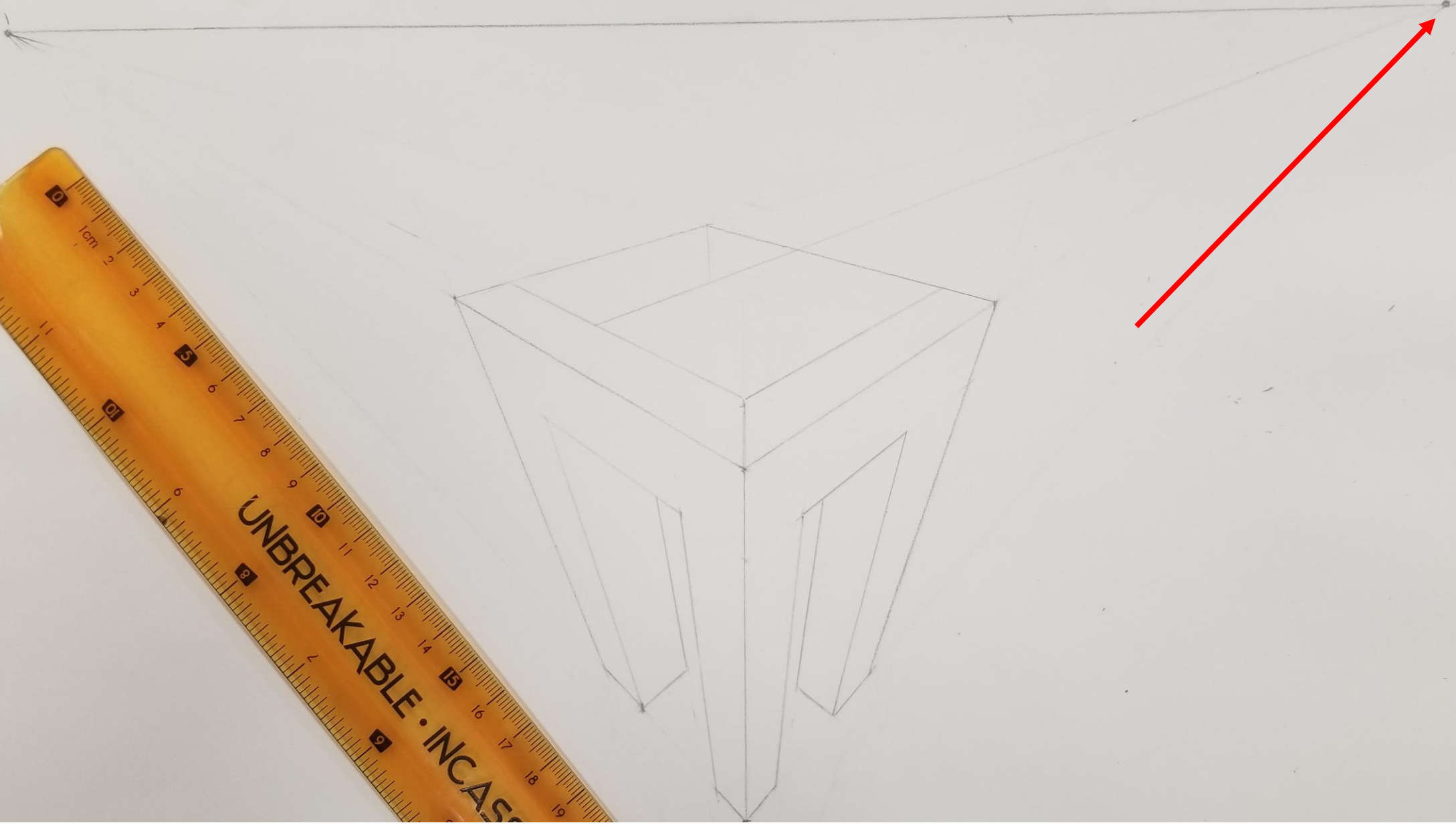
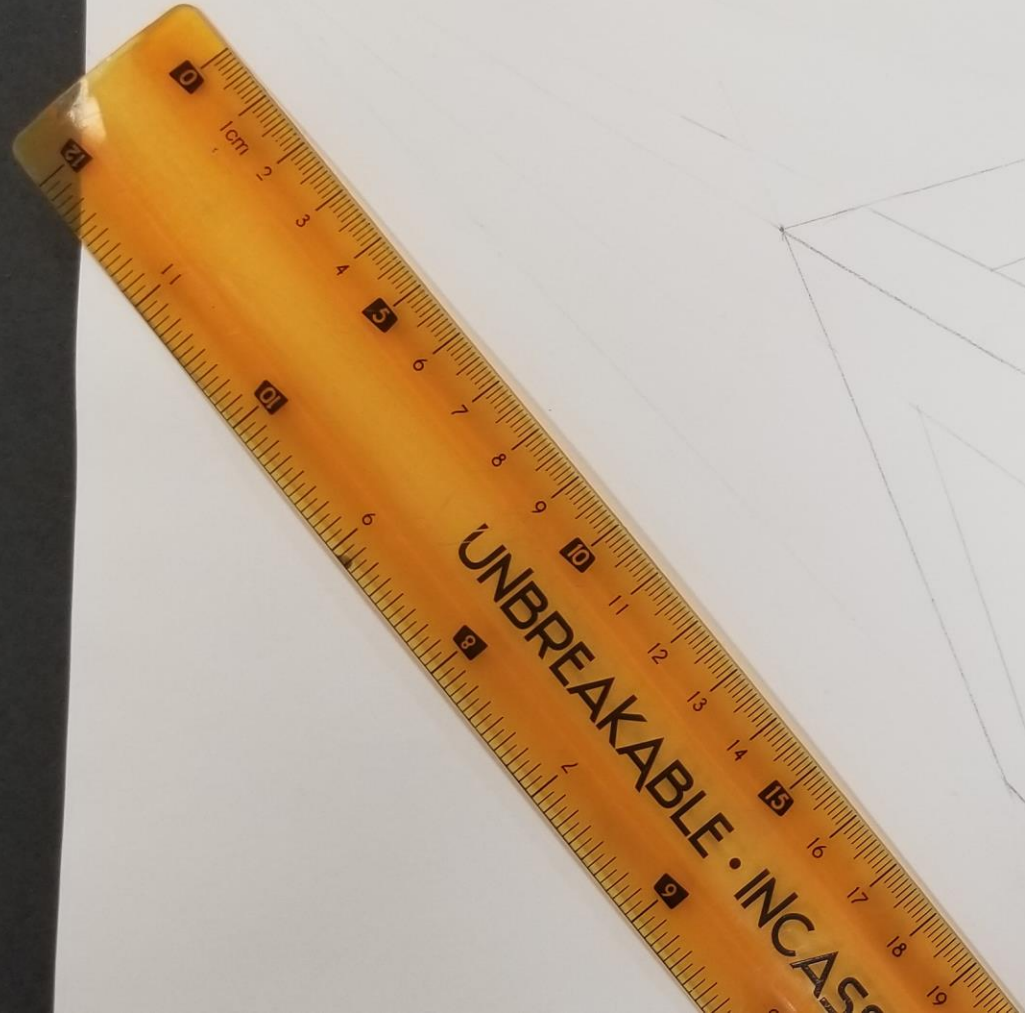


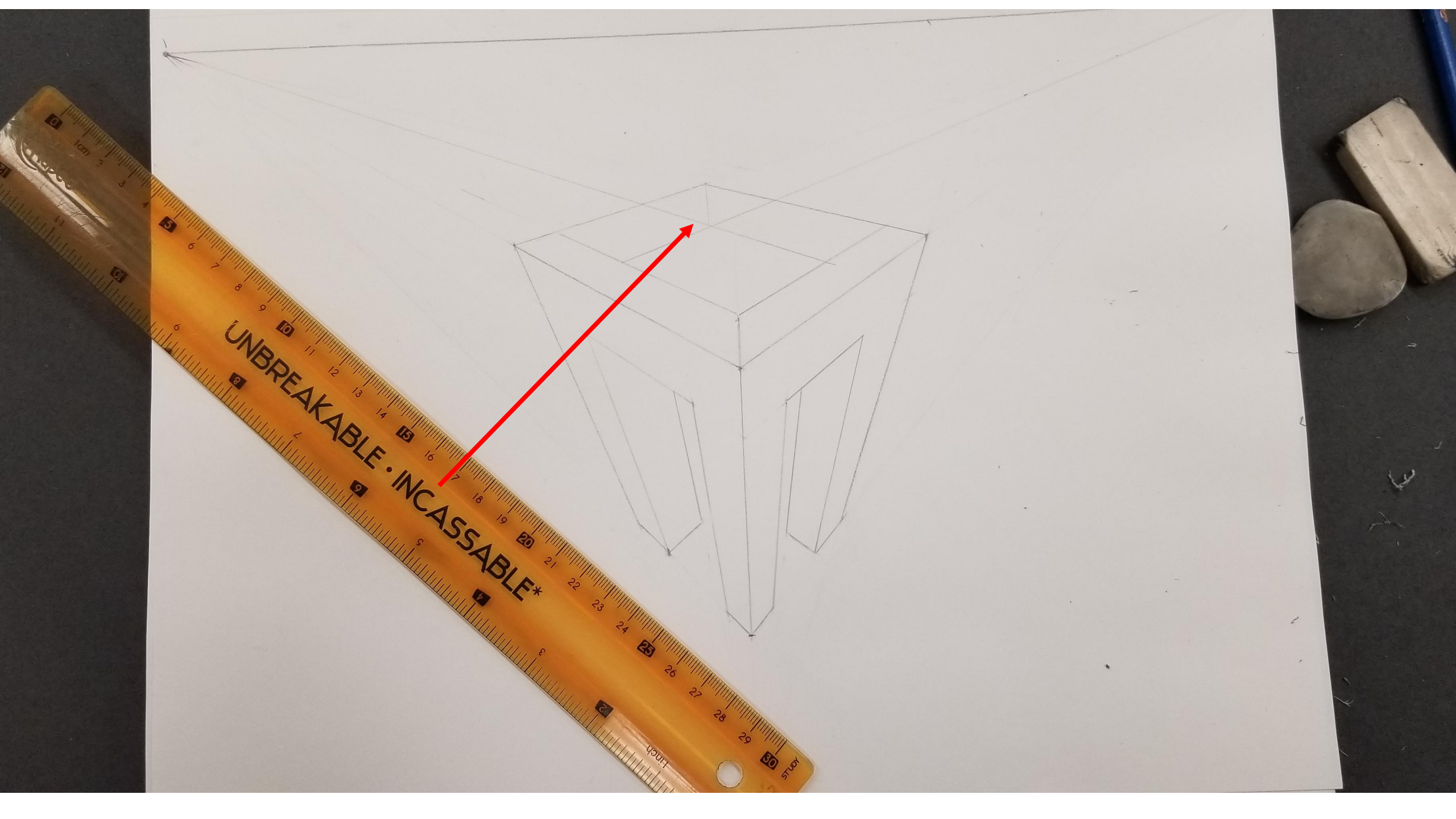
**Erase the lines you don't need.**





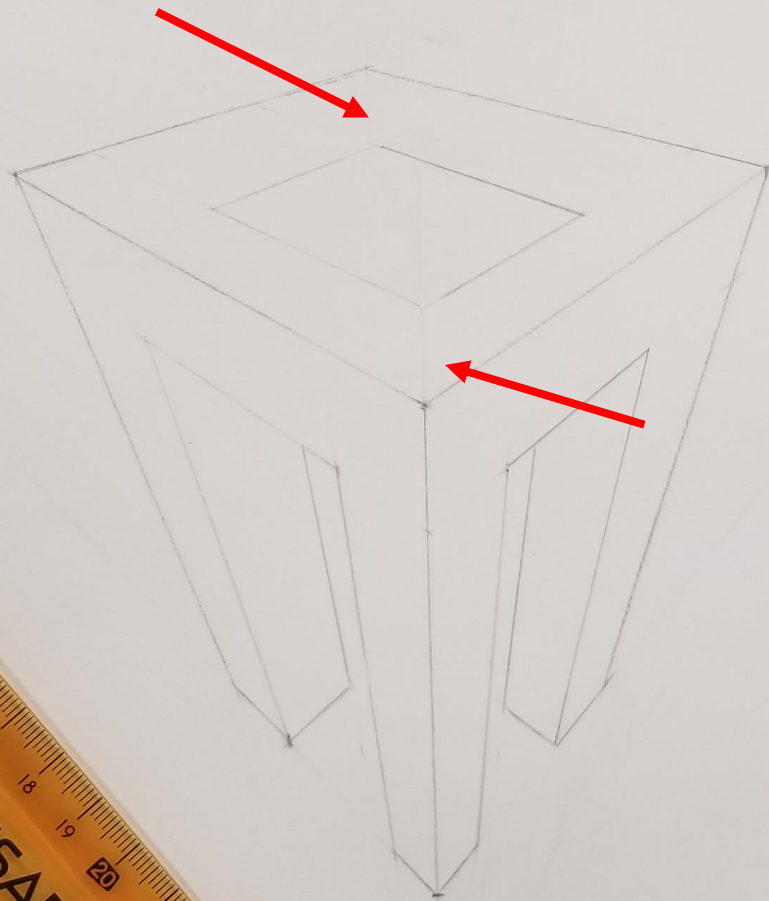




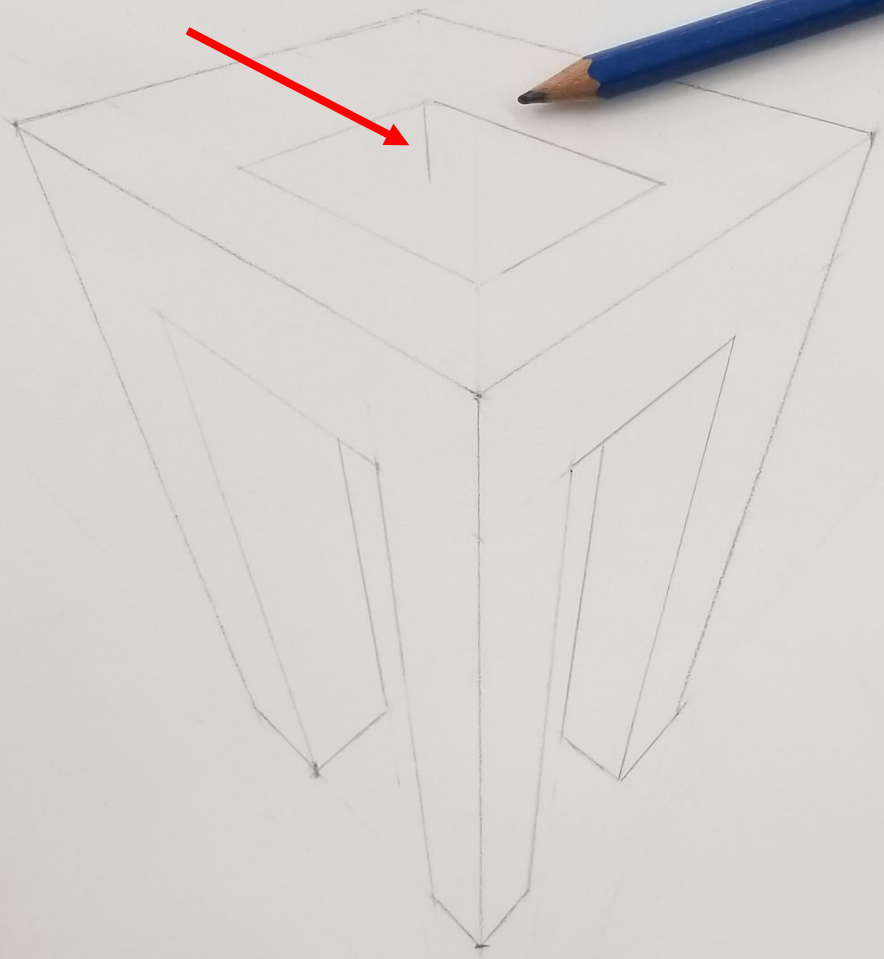
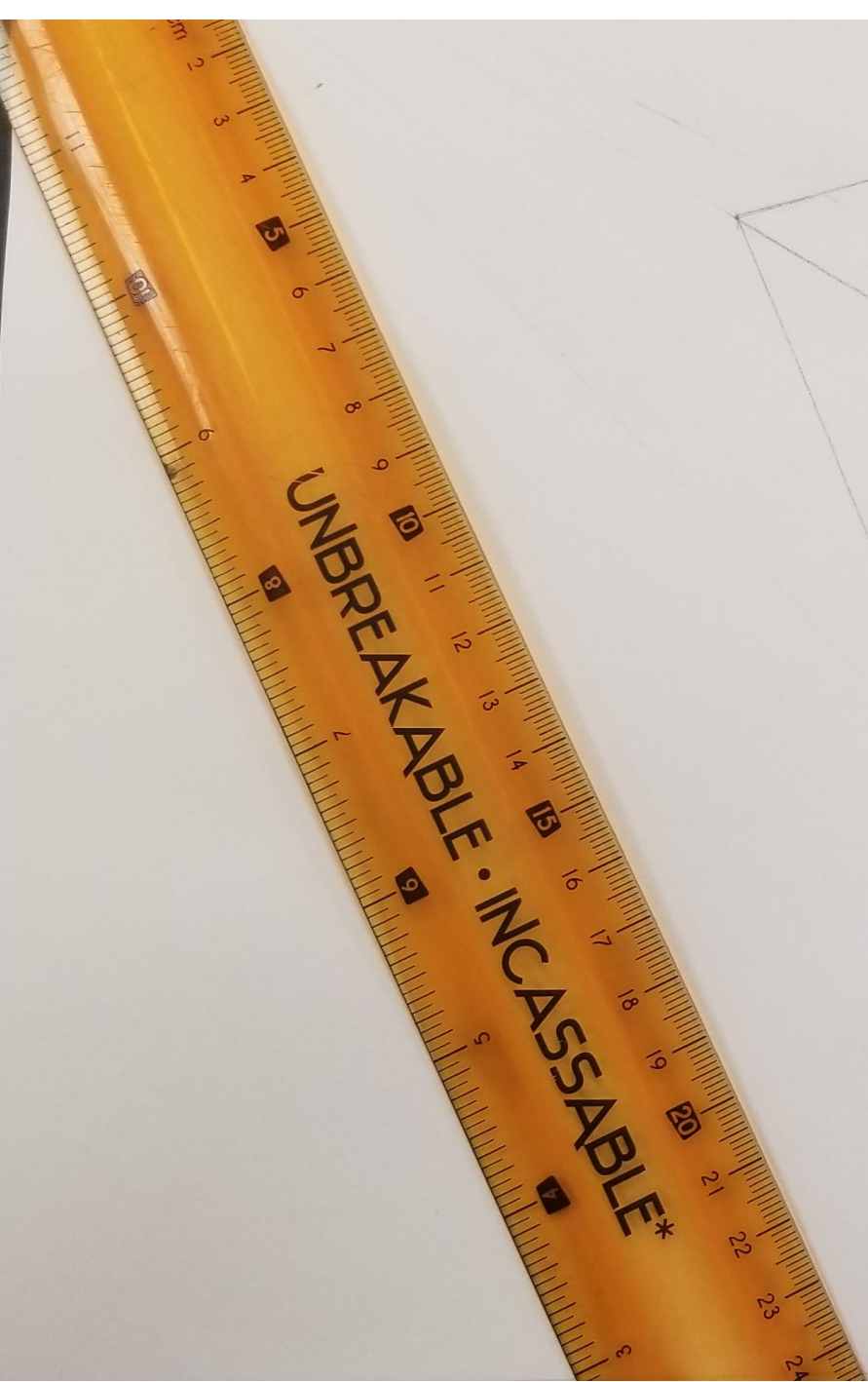


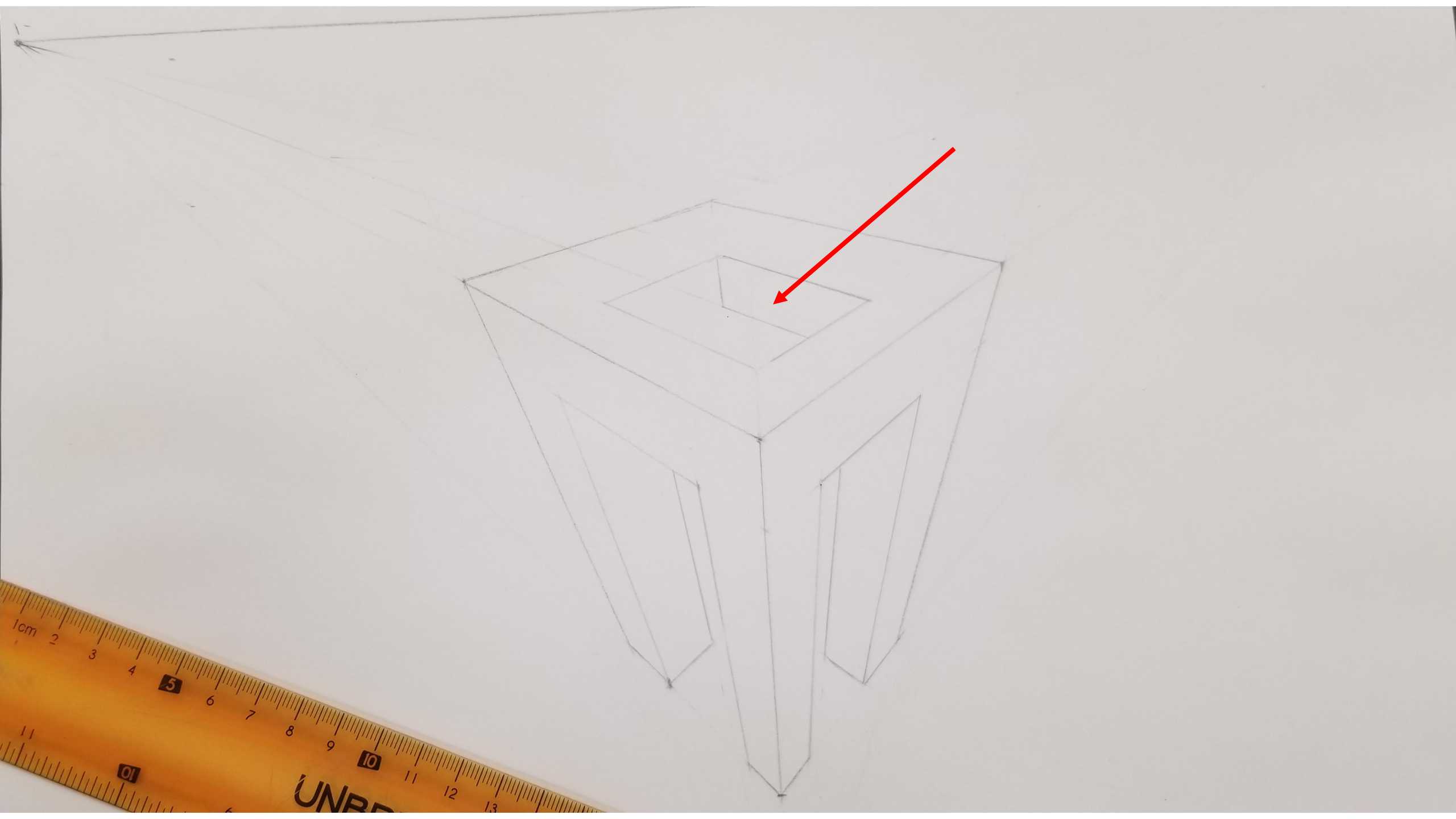


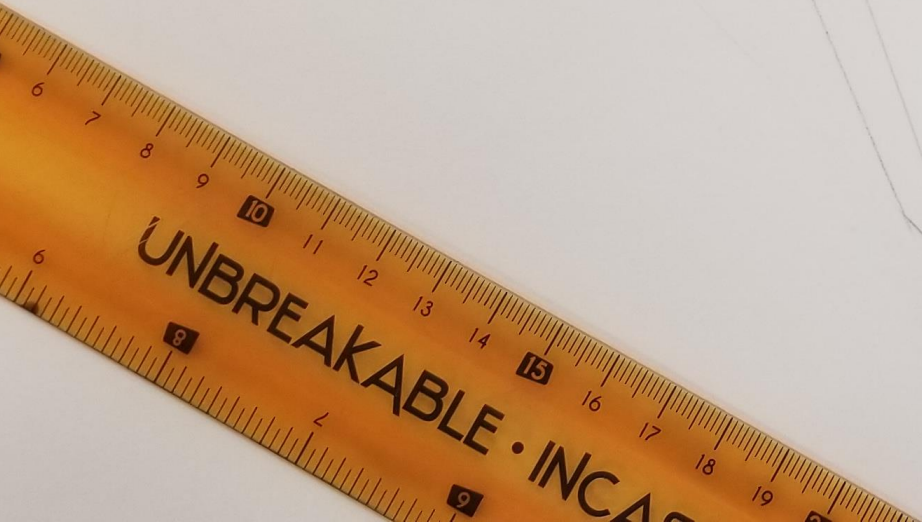
Erase the lines you don't need.



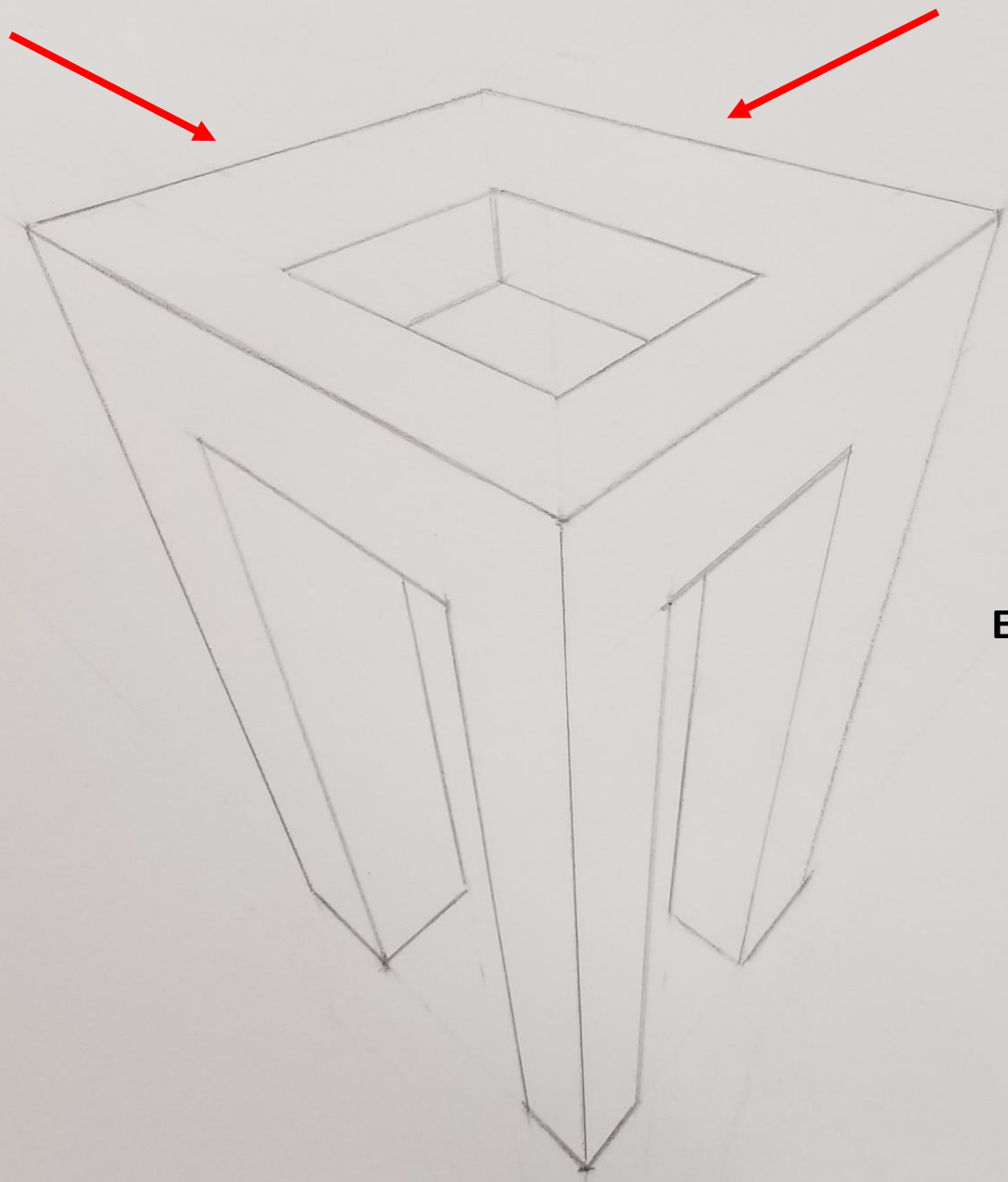












**Erase the lines you don't need.**

**Decide where your light source  
is coming from.**

**Add value!**

